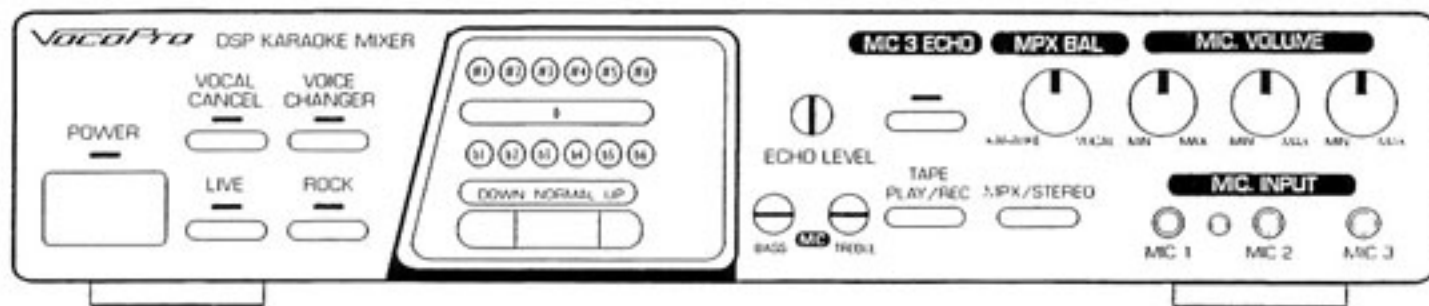


VocoPro

Owner's Manual



DA-2900V

DIGITAL SIGNAL KARAOKE MIXER

EXCELLENT FEATURES:

- 12 STEPS(HALF TONE) PROFESSIONAL DSP KEY CONTROLLER
- DIGITAL ECHO / REPEAT / DELAY
- THREE MICROPHONE INPUTS WITH ECHO ON/OFF ON MIC.3
- MICROPHONE BASS/TREBLE CONTROLS
- TWO SETS OF AUDIO INPUTS WITH TAPE RECORD OUT JACKS
- BUILD IN VIDEO SWITCHING WITH TWO INPUT AND ONE OUTPUT
- DIGITAL VOCAL ELIMINATION TO REDUCE VOCAL ON REGULAR CD
- VOCAL CANCEL AND VOCAL CHANGER FUNCTION WITH ADJUSTABLE MULTIPLEX LEVEL
- TWO SOUND FIELD EFFECT (LIVE/ROCK)
- SUBWOOFER OUTPUT

CAUTION:
RISK OF ELECTRIC SHOCK DO NOT OPEN
CAUTION: TO REDUCE THE RISK OF ELECTRIC SHOCK, DO NOT REMOVE COVER (OR BACK) NO USER-SERVICABLE PARTS INSIDE REFER SERVICING TO QUALIFIED SERVICE PERSONNEL



The lightning flash with arrowhead symbol, within an equilateral triangle, is intended to alert the user to the presence of uninsulated "dangerous voltage" within the product's enclosure that may be of sufficient magnitude to constitute a risk of electric shock to persons.



The exclamation point within an equilateral triangle is intended to alert the user to the presence of important operating and maintenance (servicing) instructions in the literature accompanying the appliance.

WARNING

TO REDUCE THE RISK OF FIRE OR ELECTRIC SHOCK, DO NOT EXPOSE THIS APPLIANCE TO RAIN OR MOISTURE.

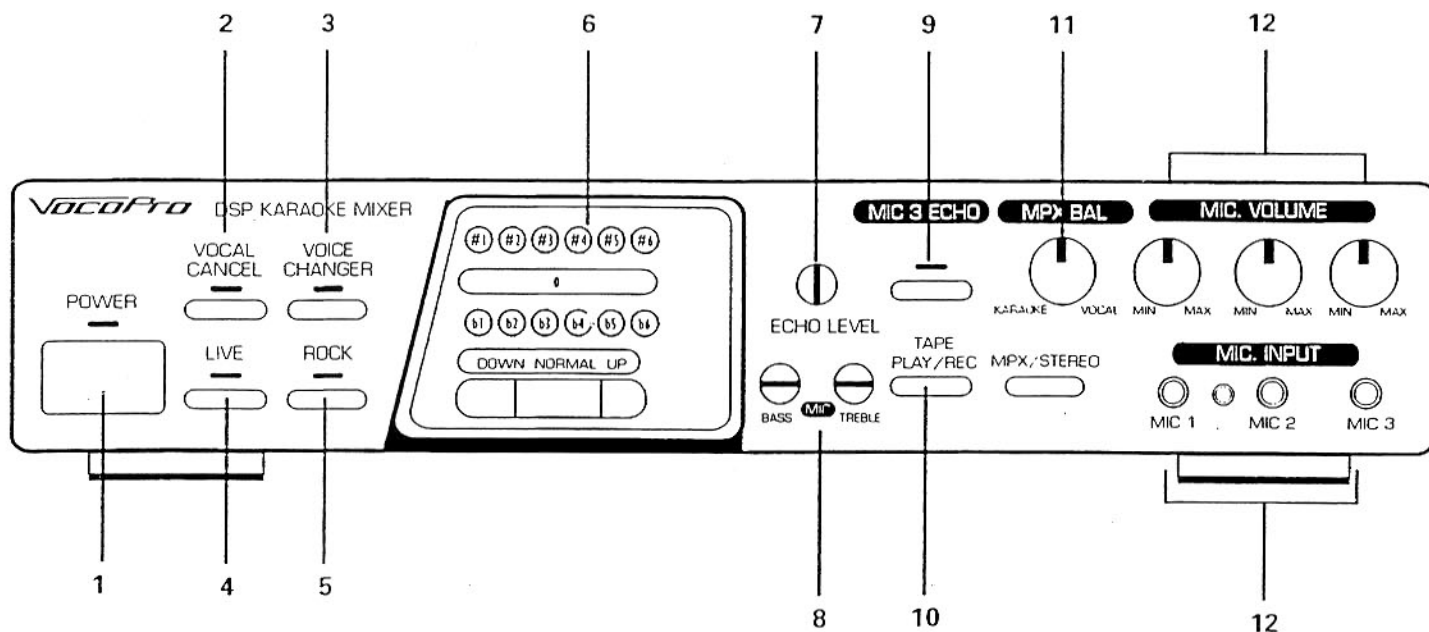
CAUTION:

TO PREVENT ELECTRIC SHOCK, DO NOT USE THIS (POLARIZED) PLUG WITH AN EXTENSION CORD. RECEPTACLE OR OTHER OUTLET UNLESS THE BLADES CAN BE FULLY INSERTED TO PREVENT BLADE EXPOSURE.

TABLE OF CONTENTS

CAUTION	2
NAME OF PARTS AND THEIR FUNCTION (FRONT PANEL)	3
NAME OF PARTS AND THEIR FUNCTION (BACK PANEL)	4
CONNECTIONS	5
SPECIFICATIONS	6

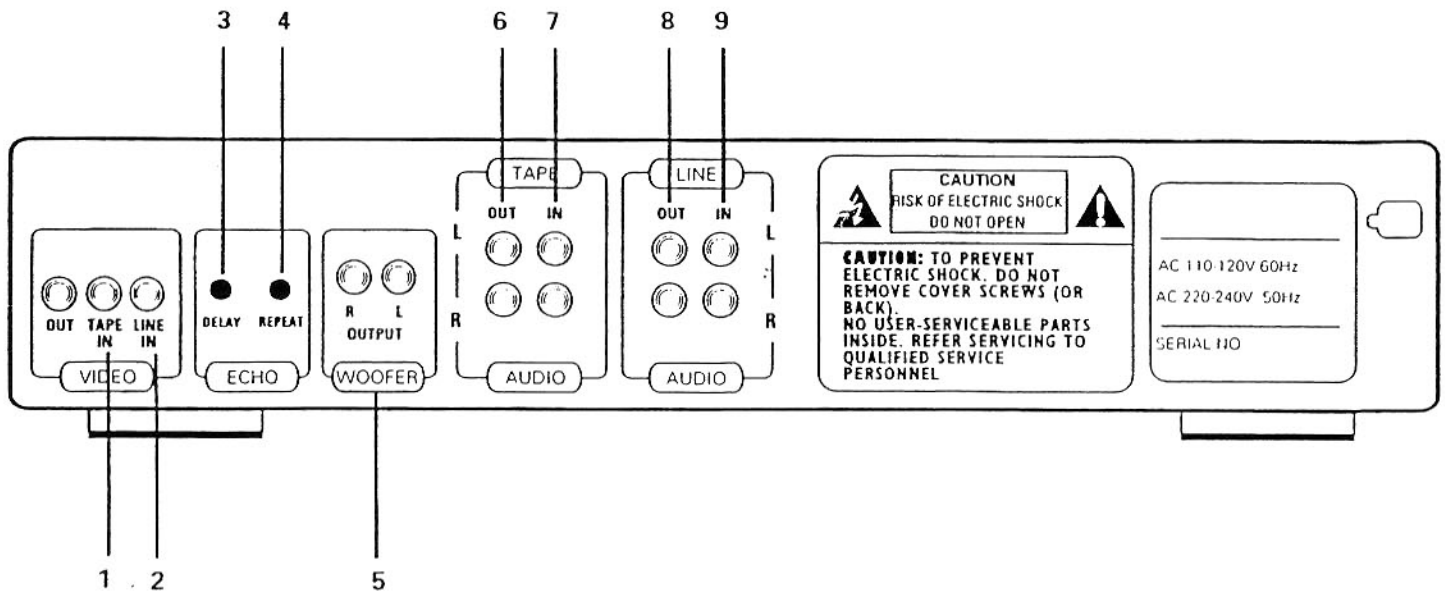
NAMES OF PARTS AND THEIR FUNCTIONS



FRONT PANEL

- ① **POWER SWITCH:**
Press the switch to turn the power on. Press it again to turn the power off.
- ② **VOCO CANCEL:**
Press the switch to reduce the vocal on regular CD or tape.
Note: This feature is designed to reduce the vocal of non karaoke software digitally, by comparing and cancelling the same signal between the right and left channel (where most vocal are recorded), but since the original recording varies, some software will work better than others.
- ③ **VOICE CHANGER:**
Works like vocal cancel, but will only activated when singing into the microphone.
- ④ **LIVE:**
Press the switch to turn on the preset "LIVE" sound field effect for the music.
- ⑤ **ROCK:**
Press the switch to turn on the preset "ROCK" sound field effect for the music.
- ⑥ **DIGITAL KEY CONTROL BUTTONS:**
Press to transpose the key of the music. The key can be transposed by 6 steps up and 6 steps down of the original key in 1/2 tone per step. The new key is indicated by the indicator above the buttons.
Note: The key control will reset automatically to neutral, 4 seconds after each song.
- ⑦ **ECHO LEVEL CONTROL:**
Adjust the parameters of the echo effect.
- ⑧ **MICROPHONE TONE BASS/TREBLE CONTROL:**
These controls are used to boost or cut the low and high frequency response of microphones.
- ⑨ **MICROPHONE 3 ECHO ON/OFF BUTTON:**
To turn the echo of microphone Ch.3 on or off for announcement.
- ⑩ **TAPE PLAY/REC SELECTOR:**
Use this to select the music source input between line-in and tape-in of the back panel.
Note: If the selector is switch to tape, the "play" indicating light will turn on, this will cut off the output signal of tape-out of the back panel to avoid internal feed back.
- ⑪ **MULTIPLEX BALANCE SWITCH:**
Use this to cancel or reduce the vocal of karaoke disc or tape
A. Make sure you are using a multiplex karaoke disc or tape with vocal track recorded on the right channel
B. Press the MPX/STEREO switch, the MPX light will come on
C. Reduce the vocal by adjusting the MPX balance to the left
- ⑫ **MICROPHONE INPUT/KEY CONTROL INPUT AND MICROPHONE VOLUME CONTROL:**
The microphone volume controls 1, 2 and 3. Adjust the microphone input level from the microphone input jack 1, 2 and 3.
KEY CONTROL JACKS:
Connect to the special key control microphone to change the key remotely, do not use this jack for any other purpose or may damage the mixer.

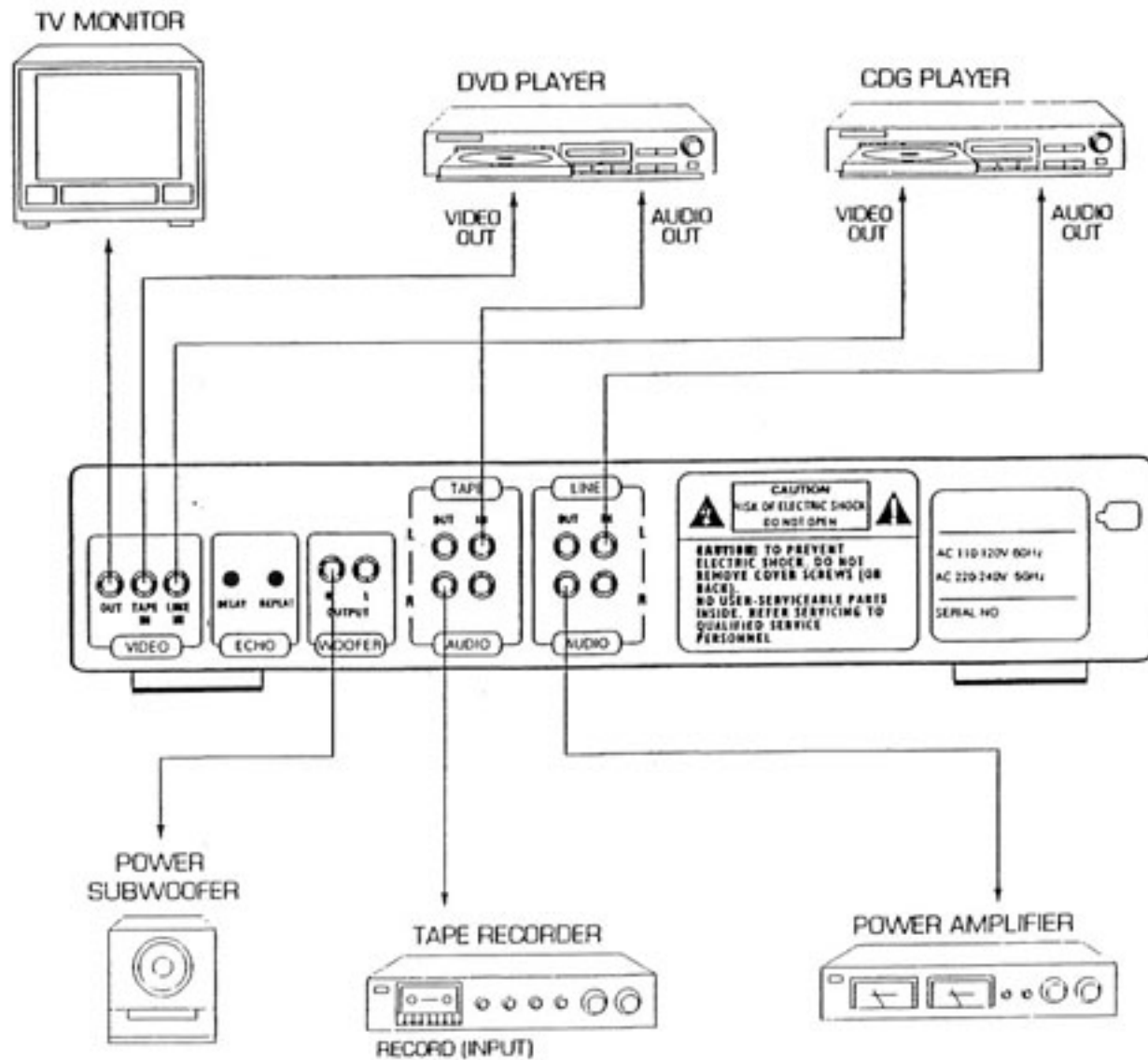
NAMES OF PARTS AND THEIR FUNCTIONS



BACK PANEL

- ① **VIDEO OUTPUT JACKS:**
Connect with the video input of the TV monitor
- ② **VIDEO INPUT JACKS:**
Connect the video output jack of a external player to this jack
- ③ **ECHO REPEAT CONTROL:**
Use this to adjust the interval of repetitions of the microphone echo
- ④ **ECHO RELAY CONTROL:**
Use this to adjust the relay time of the microphone echo
- ⑤ **WOOFER OUTPUT:**
Connect to the input of a Power Sub Woofer. (Up to two sub woofers)
- ⑥ **TAPE OUTPUT JACKS:**
Connect to the audio input of a recording device (tape deck, MD recorder, DAT deck)
- ⑦ **TAPE INPUT JACKS:**
Connect to the audio output of a external player
- ⑧ **LINE OUTPUT JACKS:**
Connect to the input of an amplifier
- ⑨ **LINE INPUT JACKS:**
Connect to the audio output of a external player

CONNECTIONS:



SPECIFICATIONS:

AUDIO INPUT (AT 1KHZ)

Microphone 2.5MV/10K Ω
Audio Input 150MV/50K Ω
Audio Output >250MV

VIDEO

Tape/Line 1V P-P/75 Ω
Frequency Response 20HZ-20KHZ \pm 3db

TONE CONTROL (MIC.)

Bass \pm 4db (100HZ) + 2db
Treble \pm 6db (100HZ) + 2db
Echo Delay Time 100 MSEC-200 MSEC
Key Control Range +3/-3 music intervals (12 steps)
Signal to Noise Ratio More than 75 db

POWER SUPPLY, OTHER

Power Requirements AC 117V, 60HZ
power Consumptions 7 Watt

AC OUTLETS

Unswitched 2 (TOTAL 250W)



WWW.VOCOPRO.COM

VocoPro

ULTIMATE CHOICE OF KARAOKE ENTERTAINMENT