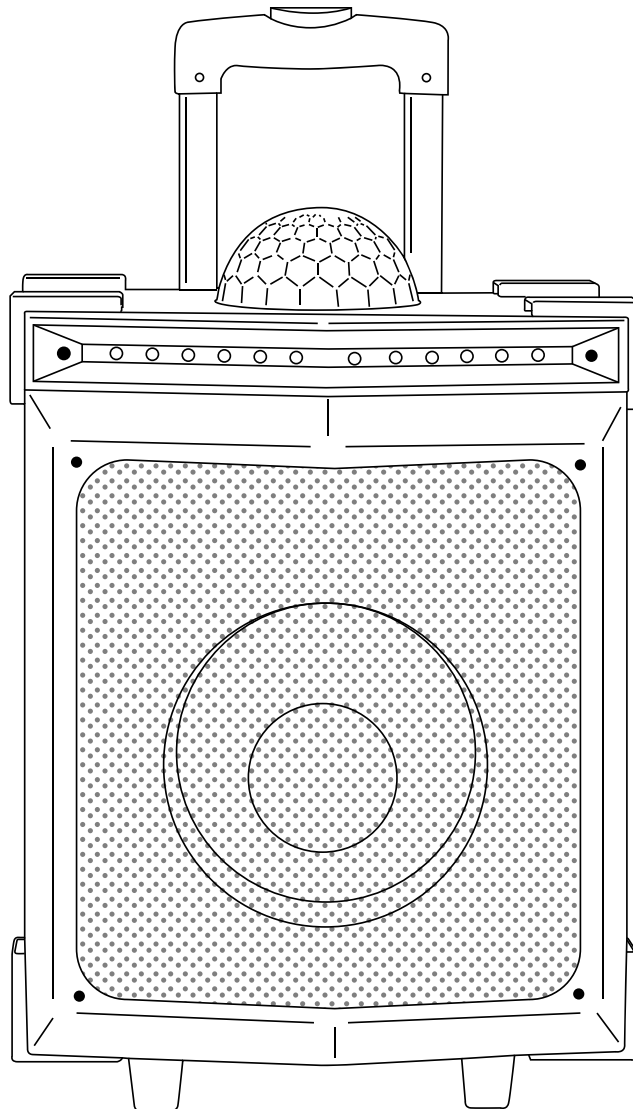


# **VocoPro**<sup>®</sup>

---

**PROFESSIONAL VOCAL SYSTEMS**<sup>™</sup>



## ***LightShow Magic***

**Battery Powered Karaoke PA System w/ 3-in-1 Light Show**

**o w n e r ' s m a n u a l**



# Table of Contents

FCC Information .....	4
Safety Instructions.....	5
Welcome .....	6
Listening for a Lifetime.....	7
Getting Started .....	8
Features .....	9
Getting Connected.....	10
Descriptions and Functions .....	14
Troubleshoot .....	17

# FCC Information

## 1. IMPORTANT NOTICE: DO NOT MODIFY THIS

**UNIT!:** This product, when installed as indicated in the instructions contained in this manual, meets FCC requirements. Modifications not expressly approved by Vocopro may void your authority, granted by the FCC, to use this product.

**2. IMPORTANT:** When connecting this product to accessories and/or another product use only high quality shielded cables. Cable(s) supplied with this product **MUST** be used. Follow all installation instructions. Failure to follow instructions could void your FCC authorization to use this product in the U.S.A.

**3. NOTE:** This product has been tested and found to comply with the requirements listed in FCC Regulations, Part 15 for Class "B" digital devices. Compliance with these requirements provides a reasonable level of assurances that your use of this product in a residential environment will not result in harmful interference with other electronic devices. This equipment generates/uses radio frequencies and, if not installed and used according to the instructions found in the owner's manual, may cause interference harmful to the operation of other electronic devices. Compliance with FCC regulations does not guarantee that interference will not occur in all installations. If this product is found to be the source of interference, which can be determined by turning the unit "Off" and "On", please try to eliminate the problem by using one of the following measures:

Relocate either this product or the device that is being affected by the interference.

Use power outlets that are on different branch (circuit breaker or fuse) circuits or install AC line filter(s).

In the case of radio or TV interference, relocate/reorient the antenna. If the antenna lead-in is 300-ohm ribbon lead, change the lead-in to coaxial type cable.

If these corrective measures do not produce satisfactory results, please contact your local retailer authorized to distribute Vocopro products. If you can not locate the appropriate retailer, please contact Vocopro, 1728 Curtiss Court, La Verne, CA 91750.

## CAUTION

The apparatus is not disconnected from the AC power source so long as it is connected to the wall outlet, even if the apparatus itself is turned off. To fully ensure that the apparatus is indeed fully void of residual power, leave unit disconnected from the AC outlet for at least fifteen seconds.

## CALIFORNIA PROP 65 WARNING

**WARNING:** This product contains chemicals known to the state of California to cause cancer and birth defects or other reproductive harm. (California law requires this warning to be given to customers in the State of California.)

For more information: [www.vocopro.com/prop65](http://www.vocopro.com/prop65)

## CAUTION:

### READ THIS BEFORE OPERATING YOUR UNIT

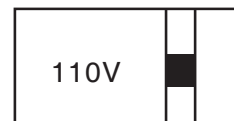
1. To ensure the finest performance, please read this manual carefully. Keep it in a safe place for future reference.
2. Install your unit in a cool, dry, clean place - away from windows, heat sources, and too much vibration, dust, moisture or cold. Avoid sources of hum (transformers, v motors). To prevent fire or electrical shock, do not expose to rain and water.
3. Do not operate the unit upside-down.
4. Never open the cabinet. If a foreign object drops into the set, contact your dealer.
5. Place the unit in a location with adequate air circulation. Do not interfere with its proper ventilation; this will cause the internal temperature to rise and may result in a failure.
6. Do not use force on switches, knobs or cords. When moving the unit, first turn the unit off. Then gently disconnect the power plug and the cords connecting to other equipment. Never pull the cord itself.
7. Do not attempt to clean the unit with chemical solvents: this might damage the finish. Use a clean, dry cloth.
8. Be sure to read the "Troubleshooting" section on common operating errors before concluding that your unit is faulty.
9. This unit consumes a fair amount of power even when the power switch is turned off. We recommend that you unplug the power cord from the wall outlet if the unit is not going to be used for a long time. This will save electricity and help prevent fire hazards. To disconnect the cord, pull it out by grasping the plug. Never pull the cord itself.
10. To prevent lightning damage, pull out the power cord and remove the antenna cable during an electrical storm.
11. The general digital signals may interfere with other equipment such as tuners or receivers. Move the system farther away from such equipment if interference is observed.

## NOTE:

Please check the copyright laws in your country before recording from records, compact discs, radio, etc. Recording of copyrighted material may infringe copyright laws.

## Voltage Selector (General Model Only)

Be sure to position the voltage selector to match the voltage of your local power lines before installing the unit.



# Safety Instructions



## CAUTION RISK OF SHOCK



CAUTION: To reduce the risk of electric shock, do not remove cover (or back). No user-serviceable parts inside. Only refer servicing to qualified service personnel.

### Explanation of Graphical Symbols



The lightning flash & arrowhead symbol, within an equilateral triangle, is intended to alert you to the presence of danger.



The exclamation point within an equilateral triangle is intended to alert you to the presence of important operating and servicing instructions.

### WARNING

To reduce the risk of fire or electric shock, do not expose this unit to rain or moisture.

- 1. Read Instructions** - All the safety and operating instructions should be read before the appliance is operated.
- 2. Retain Instructions** - The safety and operating instructions should be retained for future reference.
- 3. Heed Warnings** - All warnings on the appliance and in the operating instructions should be adhered to.
- 4. Follow Instructions** - All operating and use instructions should be followed.
- 5. Attachments** - Do not use attachments not recommended by the product manufacturer as they may cause hazards.
- 6. Water and Moisture** - Do not use this unit near water. For example, near a bathtub or in a wet basement and the like.
- 7. Carts and Stands** - The appliance should be used only with a cart or stand that is recommended by the manufacturer.
- 7 A.** An appliance and cart combination should be moved with care. Quick stops, excessive force, and uneven surfaces may cause an overturn.



- 8. Ventilation** - The appliance should be situated so its location does not interfere with its proper ventilation. For example, the appliance should not be situated on a bed, sofa, rug, or similar surface that may block the ventilation slots.
- 9. Heat** - The appliance should be situated away from heat sources such as radiators, heat registers, stoves, or other appliances (including amplifiers) that produce heat.
- 10. Power Sources** - The appliance should be connected to a power supply only of the type described in the operating instructions or as marked on the appliance.
- 11. Grounding or Polarization** - Precautions should be taken so that the grounding or polarization means of an appliance is not defeated.
- 12. Power-Cord Protection** - Power-supply cords should be routed so that they are not likely to be walked on or pinched by items placed upon or against them, paying particular attention to cords at plugs, convenience receptacles, and the point where they exit from the appliance.
- 13. Cleaning** - Unplug this unit from the wall outlet before cleaning. Do not use liquid cleaners or aerosol cleaners. Use a damp cloth for cleaning.
- 14. Power lines** - An outdoor antenna should be located away from power lines.
- 15. Nonuse Periods** - The power cord of the appliance should be unplugged from the outlet when left unused for a long period of time.
- 16. Object and Liquid Entry** - Care should be taken so that objects do not fall and liquids are not spilled into the enclosure through openings.
- 17. Damage Requiring Service** - The appliance should be serviced by qualified service personnel when:
  - A. The power supply cord or plug has been damaged; or
  - B. Objects have fallen into the appliance; or
  - C. The appliance has been exposed to rain; or
  - D. The appliance does not appear to operate normally or exhibits a marked change in performance; or
  - E. The appliance has been dropped, or the enclosure damaged.
- 18. Servicing** - The user should not attempt to service the appliance beyond that described in the operating instructions. All other servicing should be referred to qualified service personnel.

#### Note:

To CATV system installer's (U.S.A.): This reminder is provided to call the CATV system installer's attention to Article 820-40 of the NEC that provides guidelines for proper grounding and, in particular, specifies that the cable ground shall be connected as close to the point of cable entry as practical.



## Welcome

And thank you for purchasing the **LightShow Magic** from VocoPro, your ultimate choice in Karaoke entertainment! With years of experience in the music entertainment business, VocoPro is a leading manufacturer of Karaoke equipment, and has been providing patrons of bars, churches, schools, clubs and individual consumers the opportunity to sound like a star with full-scale club models, in-home systems and mobile units. All our products offer solid performance and sound reliability, and to reinforce our commitment to customer satisfaction, we have customer service and technical support professionals ready to assist you with your needs. We have provided some contact information for you below.

### VocoPro

1728 Curtiss Court  
La Verne, CA 91750

**Toll Free: 800-678-5348**

TEL: 909-593-8893

FAX: 909-593-8890

#### VocoPro Company Email Directory

##### Customer Service & General Information

info@vocopro.com

##### Tech Support

techsupport@vocopro.com

#### Remember Our Website

Be sure to visit the VocoPro website **www.vocopro.com** for the latest information on new products, packages and promos. And while you're there don't forget to check out our Club VocoPro for Karaoke news and events, chat rooms, club directories and even a KJ Service directory!

We look forward to hearing you sound like a PRO, with VocoPro, the singer's ultimate choice.

### FOR YOUR RECORDS

Please record the model number and serial number below, for easy reference, in case of loss or theft. These numbers are located on the rear panel of the unit. Space is also provided for other relevant information

**Model Number**

**Serial Number**

**Date of Purchase**

**Place of Purchase**

# Listening for a Lifetime

Selecting fine audio equipment such as the unit you've just purchased is only the start of your musical enjoyment. Now it's time to consider how you can maximize the fun and excitement your equipment offers. VocoPro and the Electronic Industries Association's Consumer Electronics Group want you to get the most out of your equipment by playing it at a safe level. One that lets the sound come through loud and clear without annoying blaring or distortion and, most importantly, without affecting your sensitive hearing.

Sound can be deceiving. Over time your hearing "comfort level" adapts to a higher volume of sound. So what sounds "normal" can actually be loud and harmful to your hearing. Guard against this by setting your equipment at a safe level BEFORE your hearing adapts.

To establish a safe level:

- Start your volume control at a low setting.
- Slowly increase the sound until you can hear it comfortably and clearly, and without distortion.

Once you have established a comfortable sound level:

- Set the dial and leave it there.
- Pay attention to the different levels in various recordings.

Taking a minute to do this now will help to prevent hearing damage or loss in the future. After all, we want you listening for a lifetime.

Used wisely, your new sound equipment will provide a lifetime of fun and enjoyment. Since hearing damage from loud noise is often undetectable until it is too late, this manufacturer and the Electronic Industries Association's Consumer Electronics Group recommend you avoid prolonged exposure to excessive noise. This list of sound levels is included for your protection.

## Some common decibel ranges:

Level	Example
<b>30</b>	Quiet library, Soft whispers
<b>40</b>	Living room, Refrigerator, Bedroom away from traffic
<b>50</b>	Light traffic, Normal Conversation
<b>60</b>	Air Conditioner at 20 ft., Sewing machine
<b>70</b>	Vacuum cleaner, Hair dryer, Noisy Restaurant
<b>80</b>	Average city traffic, Garbage disposals, Alarm clock at 2 ft.

## The following noises can be dangerous under constant exposure:

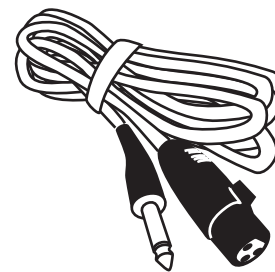
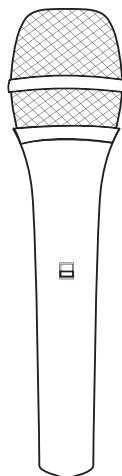
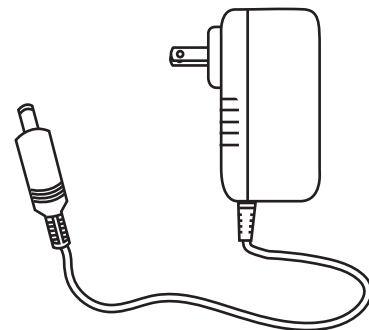
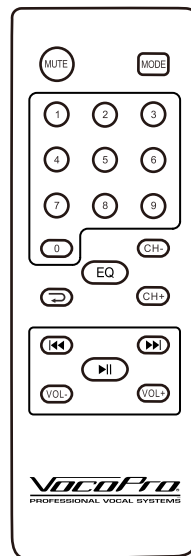
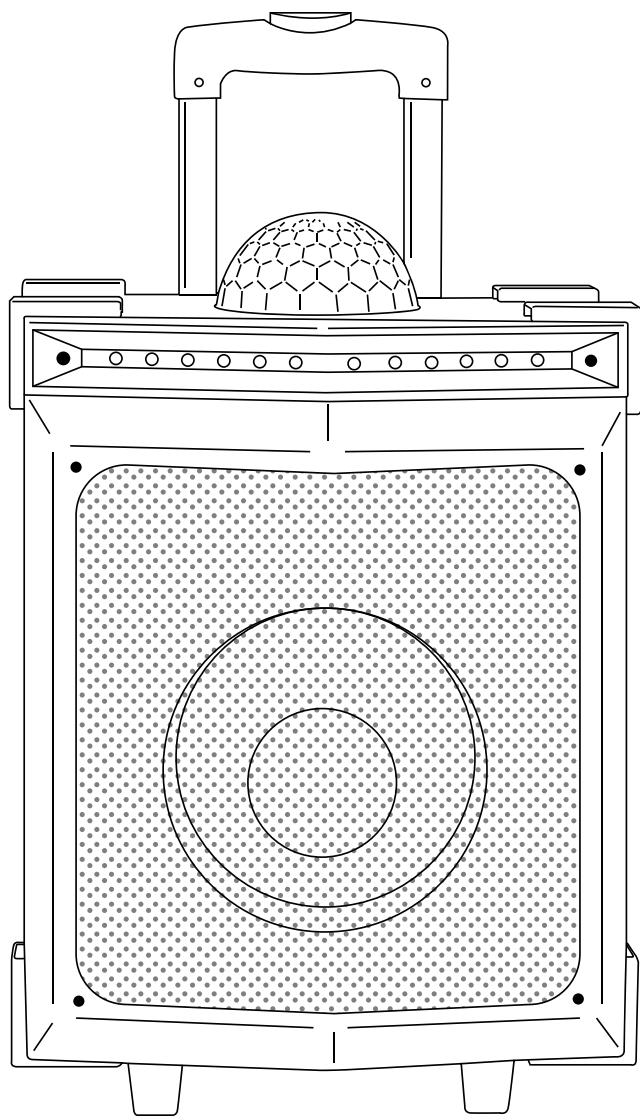
Level	Example
<b>90</b>	Subway, Motorcycle, Truck traffic, Lawn Mower
<b>100</b>	Garbage truck, Chainsaw, Pneumatics drill
<b>120</b>	Rock band concert in front of speakers
<b>140</b>	Gunshot blast, Jet plane
<b>180</b>	Rocket launching pad

-Information courtesy of the Deafness Research Foundation

# Getting Started

## What's in the box?

- LightShow Magic
- Remote
- Microphone
- XLR to 1/4" Cable
- Power Adapter





# Features

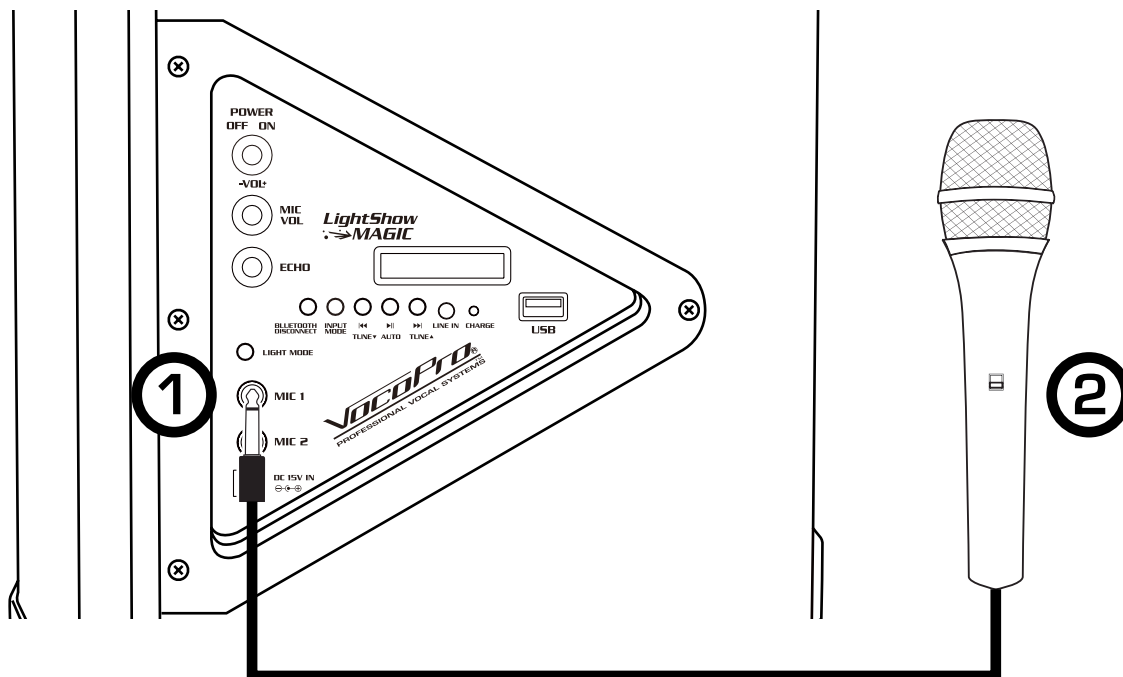
## Features:

- Strobelight that pulses to the sound of your music
- LED Moonflower Disco ball light with multi-color selection
- Mid-size woofer with RGB background light
- 50 watt RMS
- BLUETOOTH/USB/FM tuner/3.5mm Line in
- 2 mic inputs with digital echo and volume knobs
- 3.5Ah rechargeable battery for 2-5 hours of continuous usage
- Built-in handle & wheels for ease of transportation

# Getting Connected

## CONNECTING A MICROPHONE

1. Plug a microphone (one microphone is included) into the MIC 1 or MIC 2 JACK. The mic output will be mixed with an audio source from CD/CD+G/USB flash drive.
2. Slide ON/OFF switch on microphone to "ON" before singing and always slide to "OFF" after use.



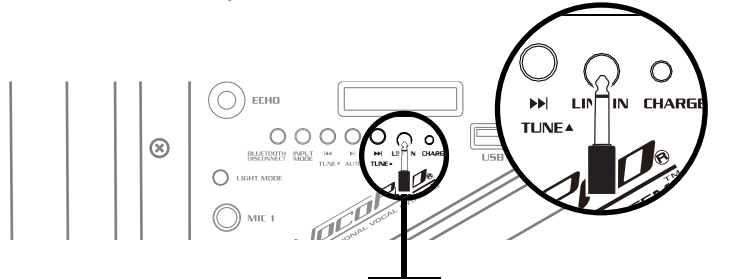
CAUTION - Tapping or dropping the microphone while it is on can cause permanent damage to it. Never grip and swing the microphone around by the connecting cord.

# Getting Connected

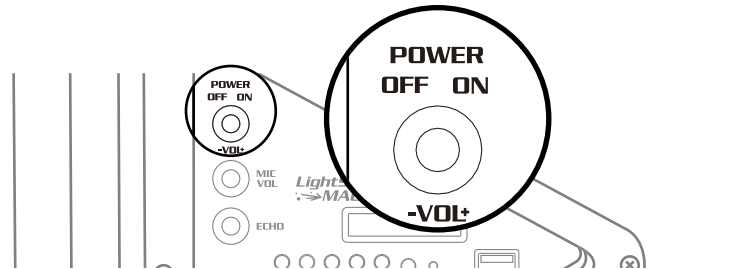
## SINGING ALONG FROM LINE IN SOURCES

This karaoke unit features a Line In jack for connecting your iPod, MP3 player or other digital music player.

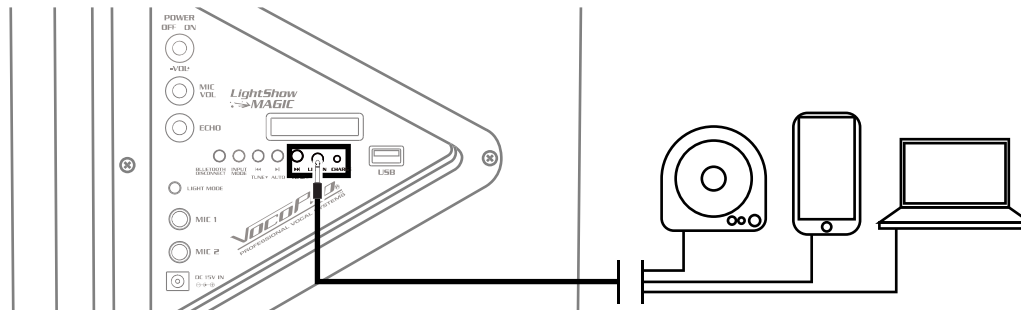
- Connect the headphone jack of your external device to the Line In jack located on the lower side of this unit (The connection cable is not included).



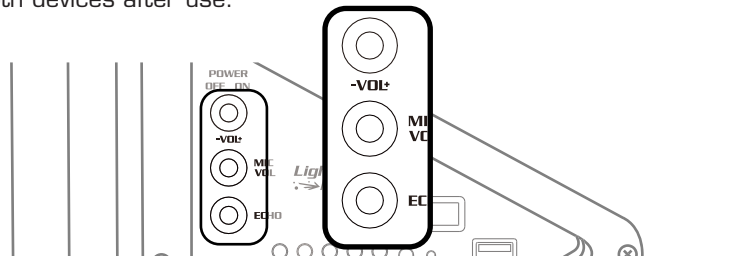
- Turn on the unit player and it will enter the Line In function mode once an external device is plugged into the Line In jack.



- Connect the line out or headphone jack of your external audio device (e.g. a CD player, MP3 player, iPhone, iPod, etc...) to the unit with a suitable audio cable (not included). • Select your favorite song on your external audio device to play. You may need to adjust the output volume of your external audio device if the headphone jack is used for making the connection.



- Turn on your microphone and start singing. Adjust the MASTER VOLUME and/or MIC VOLUME if necessary. You may also use the ECHO CONTROLS to enhance your singing experience.
- Turn off both devices after use.



NOTE: Once the Line In jack has been plugged into, the unit automatically enters the Line In mode no matter what position the Function Selector is in. Remember to disconnect the Line In cable from the unit after use in order to listen to the CD or USB input again.

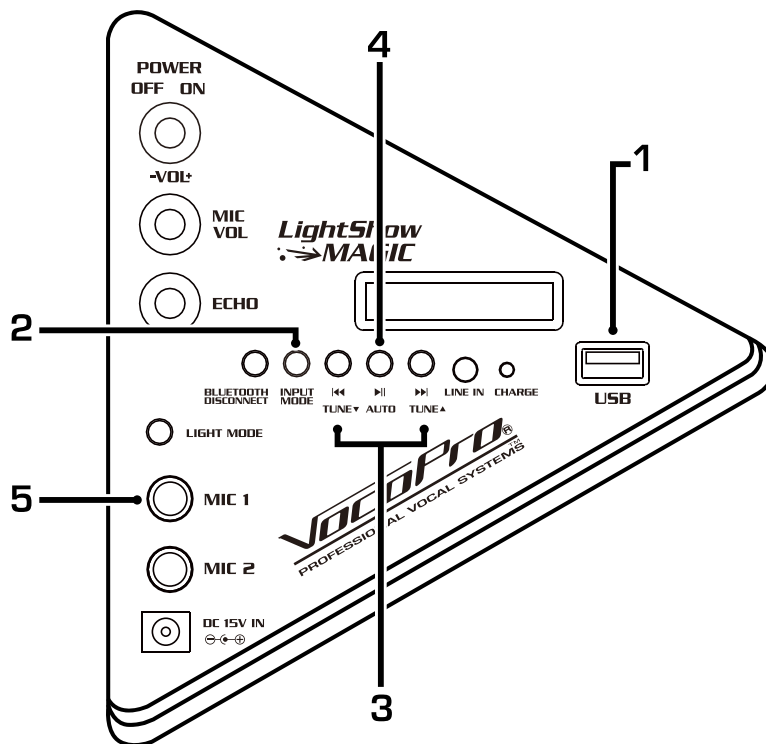
# Getting Connected

## SINGING ALONG WITH USB FLASH DRIVE using DIGITAL FILES

1. Insert a USB Flash drive
2. Set the MODE SELECTOR to "USB."
3. Cycle through your MP3 files by using the|<<>>|buttons
4. Press the |>| button to start playing the selected file
5. Plug in a Microphone and sing away

All control functions will now apply to the USB drive

\* Flash drive memory stick with a memory capacity of 32GB or higher may take longer to load or may not be compatible at all with this particular system.



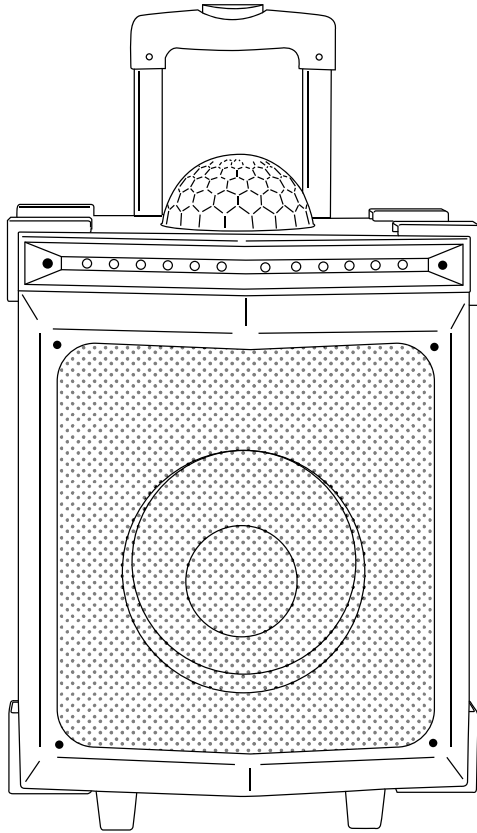
# Getting Connected

## Connecting via BLUETOOTH

### NOTE:

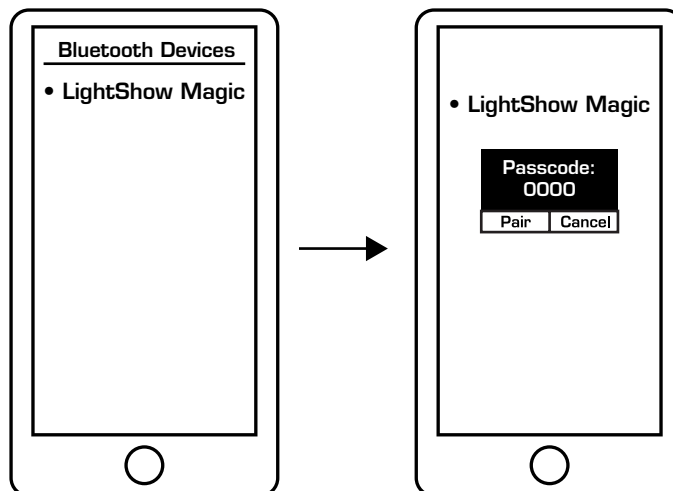
Bluetooth devices need to be initially paired first before they can exchange data. Once paired, it is not necessary to pair them again. Simply turn your phone/tablet Bluetooth transmission to ON.

- Place the devices to be paired within 1 meter (3 feet) of each other when pairing.



- Press the Mode Select button to toggle the Bluetooth Input.
- Search for available Bluetooth devices on your music source
- When the Bluetooth input mode is selected, LightShow Magic will automatically be discoverable
- Select LightShow Magic to connect.
- An audible blip will be heard through the internal speaker once a connection is made

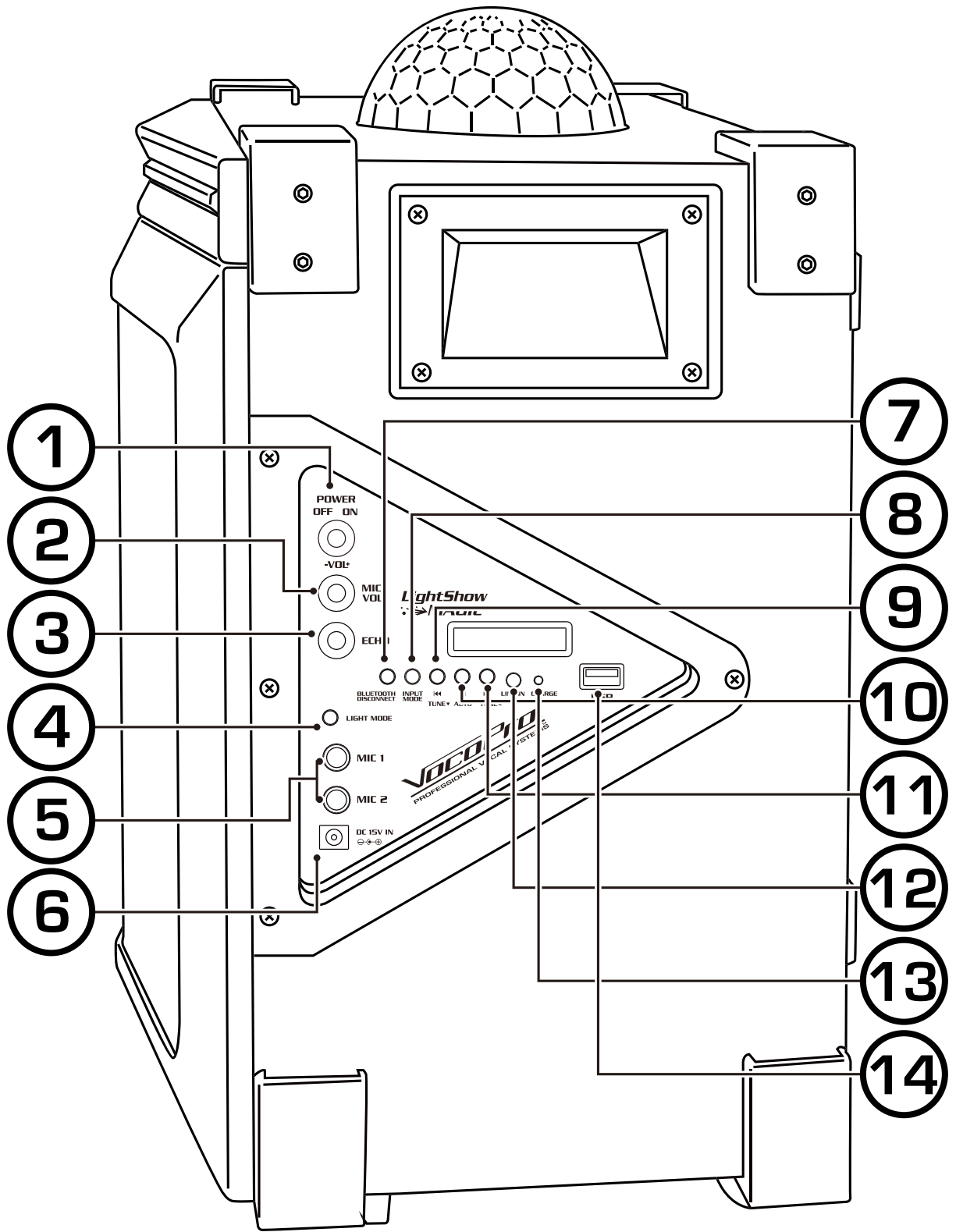
- Some source devices are unable to display lists of detected devices. To pair this unit with the source device, refer to the source device operating manual for details
- Select "Light Show Magic" from the source list. If Passcode is required, enter "0000". \* Passcode may be called PIN Code, Passkey, PIN number or Password.



# Descriptions and Functions

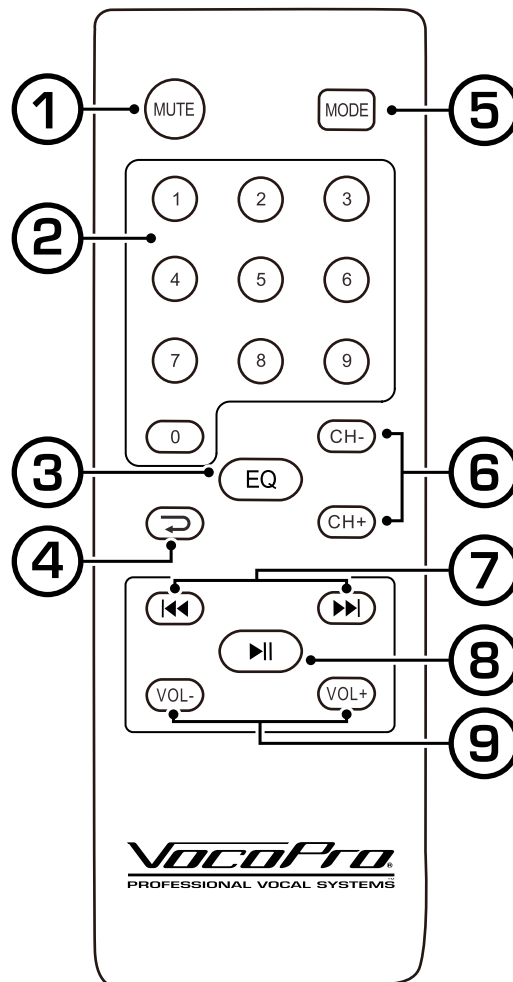
1. **Power/Volume Knob** – Turn this knob clockwise to power on unit and increase overall volume. Turn this knob counter-clockwise to decrease overall volume and to eventually power off the unit.
2. **MIC Volume** – This knob alters the volume of the microphones plugged into the MIC 1 and MIC 2 input jacks.
3. **Echo** – This knob controls the amount of echo effect (delay/repeat) applied to the microphone input signal.
4. **Light Mode** – Press this button to cycle through the various lighting effects.
5. **MIC 1** – Connect a 1/4" unbalanced microphone here.  
**MIC 2** – Connect a 1/4" unbalanced microphone here.
6. **DC 15v IN** – Connect the provided power adapter here for recharging.
7. **Bluetooth Disconnect** – Press this button to conveniently and instantly disconnect the LightShow Magic from any previously paired devices.
8. **Mode** – Press this button to cycle between available audio input sources.
9. **⏮** – Press this button to return to a previous track on a CD or USB drive. This button also cycles through radio tuner channels.
10. **⏸** – Use this button to start playback. Press once to start playback, once again to set the pause mode, and once more to resume playback. This button also auto scans for radio tuner channels.
11. **⏭** – Press this button to skip forward to the next track when using the CD or USB input. This button also cycles through radio tuner channels.
12. **Line In** – Connect an auxiliary audio input source here via 1/8" jack male connector.
13. **Charging** – This light indicates the charging status of the LightShow Magic battery.
14. **USB** – Connect a USB flash-drive here in order to play digital files.

# Descriptions and Functions



# Descriptions and Functions

1. **Mute** – Mutes all audio.
2. **Direct Access** – For use whenever number input is necessary. i.e. Jumping directly to tracks/chapters, etc
3. **EQ** – Cycles through different audio dynamics.
4. **Repeat** – Repeats current playing track.
5. **Mode** – Press this button to cycle between available audio input sources.
6. **CH** – Use to cycle through radio channels.
7. **◀▶** – Use these buttons to return to a previous track or skip forward to the next track when using the CD or USB input.
8. **▶||** – Use this button to start playback. Press once to start playback, once again to set the pause mode, and once more to resume playback. This button also auto scans for radio tuner channels.
9. **Volume** – Use these buttons to decrease or increase volume.





# Troubleshoot

## There is no power

- Make sure the power cord is firmly connected to the back of the unit and to the power outlet.
- If using a power strip/surge-protector, make sure that it is plugged in and switched on.
- If attempting to run on battery power, the battery may be depleted. Connect the unit to a wall outlet and recharge the battery.
- Check the fuse, and replace if blown. If the fuse blows again immediately, do not replace it again. Instead, contact VocoPro technical support.

## There is no sound

- Make sure the MASTER VOLUME knob is set to an audible level.
- If using microphones, make sure they are connected properly and cables are not defective.
- If using an external player, make sure they are connected properly and cables are not defective.
- If an external effects device is connected, make sure it is powered on.

## No Audio from Bluetooth Connection

- Make sure the LightShow Magic is still paired.
- If need be, repeat the process to pair your Bluetooth device.
- Make sure you are within operating range.

The operating range is approximately 30 ft. If you are in excess of 30 ft from the LightShow Magic, the signal may cut-out or drop. Also try and limit any obstructions to line of sight.

- Check the volume levels.

