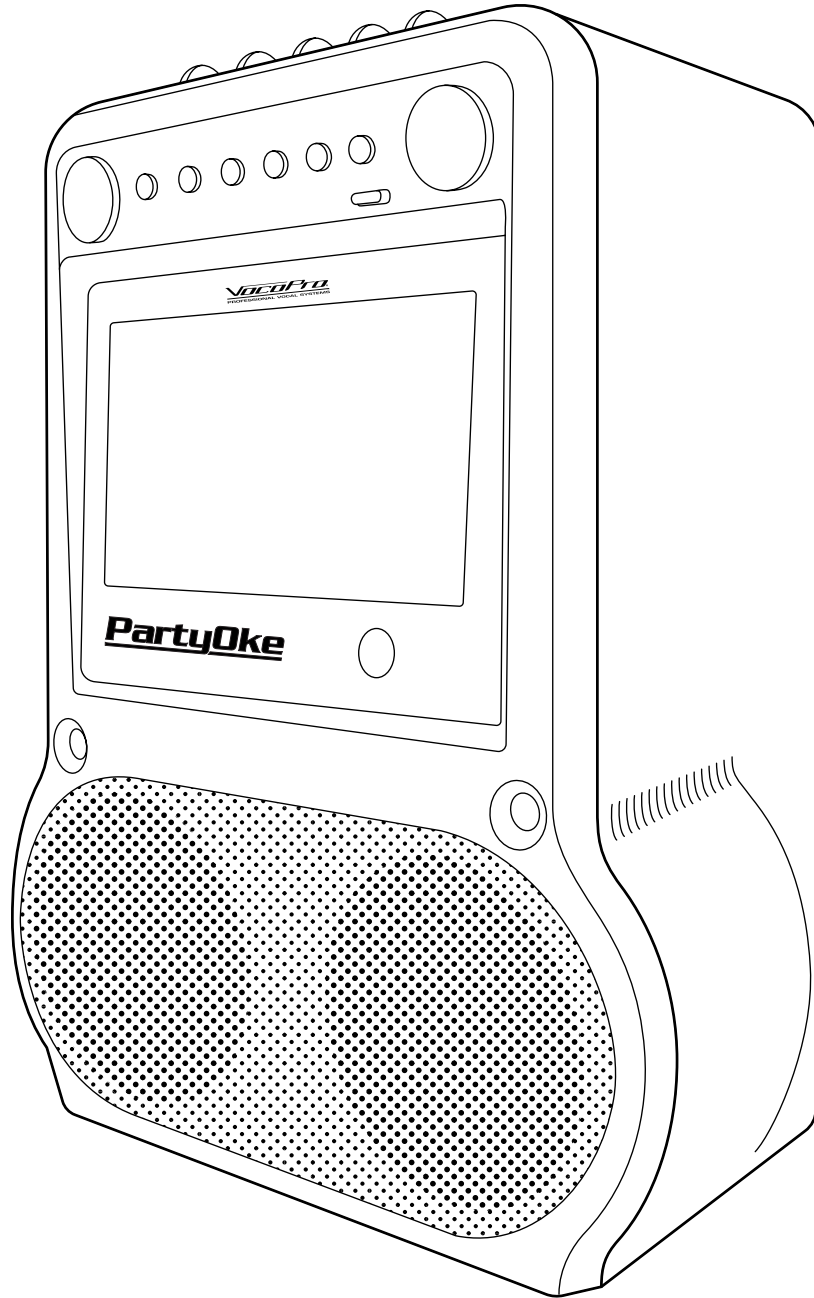


VocoPro[®]
PROFESSIONAL VOCAL SYSTEMS[™]



PartyOke
Portable Karaoke System With Vivid 7" Color LCD

o w n e r ' s m a n u a l

WELCOME

And thank you for purchasing the PartyOke from VocoPro, your ultimate choice in Karaoke entertainment! With years of experience in the music entertainment business, VocoPro is a leading manufacturer of Karaoke equipment. We have been providing patrons of bars, churches, schools, clubs, and individual consumers the opportunity to sound like a star with full-scale club models, in-home systems, and mobile units. All our products offer solid performance and sound reliability, and to reinforce our commitment to customer satisfaction, we have customer service and technical support professionals ready to assist you with your needs. We have provided some contact information for you below.

Contact Information

VocoPro is located at-
1728 Curtiss Court
La Verne, CA 91750

Toll Free: 800-678-5348
TEL: 909-593-8893
FAX: 909-593-8890

Customer Service & General Information

info@vocopro.com
Tech Support
tech-support@vocopro.com

Visit our VocoPro website at www.vocopro.com for the latest information on new products, packages, and promos.

Please record the model number and serial number below, for easy reference, in case of loss or theft. These numbers are located on the packaging the item came in. Space is also provided for other relevant information.

Model Number

Serial Number

Date of Purchase

Place of Purchase

Listening For A Lifetime

Selecting fine audio equipment such as the unit you've just purchased is only the start of your musical enjoyment. Now it's time to consider how you can maximize the fun and excitement your equipment offers. VocoPro and the Electronic Industries Association's Consumer Electronics Group want you to get the most out of your equipment by playing it at a safe level. One that lets the sound come through loud and clear without annoying blaring or distortion and, most importantly, without affecting your sensitive hearing.

Sound can be deceiving. Over time your hearing "comfort level" adapts to a higher volume of sound. So what sounds "normal" can actually be loud and harmful to your hearing. Guard against this by setting your equipment at a safe level BEFORE your hearing adapts.

To establish a safe level:

- Start your volume control at a low setting.
- Slowly increase the sound until you can hear it comfortably and clearly, and without distortion.

Once you have established a comfortable sound level:

- Set the dial and leave it there.
- Pay attention to the different levels in various recordings.

Taking a minute to do this now will help to prevent hearing damage or loss in the future. After all, we want you listening for a lifetime.

Used wisely, your new sound equipment will provide a lifetime of fun and enjoyment. Since hearing damage from loud noise is often undetectable until it is too late, this manufacturer and the Electronic Industries Association's Consumer Electronics Group recommend you avoid prolonged exposure to excessive noise. This list of sound levels is included for your protection.

Level	Example
30	Quiet library, Soft whispers
40	Living room, Refrigerator, Bedroom away from traffic
50	Light traffic, Normal Conversation
60	Air Conditioner at 20 ft., Sewing machine
70	Vacuum cleaner, Hair dryer, Noisy Restaurant
80	Average city traffic, Garbage disposals, Alarm clock at 2 ft.

The following noises can be dangerous under constant exposure:

Level	Example
90	Subway, Motorcycle, Truck traffic, Lawn Mower
100	Garbage truck, Chainsaw, Pneumatics drill
120	Rock band concert in front of speakers
140	Gunshot blast, Jet plane
180	Rocket launching pad

-Information courtesy of the Deafness Research Foundation

Safety Instructions



CAUTION RISK OF SHOCK



CAUTION: To reduce the risk of electric shock, do not remove cover (or back). No user-serviceable parts inside. Only refer servicing to qualified service personnel.

Explanation of Graphical Symbols



The lightning flash & arrowhead symbol, within an equilateral triangle, is intended to alert you to the presence of danger.



The exclamation point within an equilateral triangle is intended to alert you to the presence of important operating and servicing instructions.

WARNING: To reduce the risk of fire or electric shock, do not expose this unit to rain or moisture.

1. Read Instructions - All the safety and operating instructions should be read before the appliance is operated.
2. Retain Instructions - The safety and operating instructions should be retained for future reference.
3. Heed Warnings - All warnings on the appliance and in the operating instructions should be adhered to.
4. Follow Instructions - All operating and use instructions should be followed.
5. Attachments - Do not use attachments not recommended by the product manufacturer as they may cause hazards.
6. Water and Moisture - Do not use this unit near water. For example, near a bathtub or in a wet basement and the like.
7. Carts and Stands - The appliance should be used only with a cart or stand that is recommended by the manufacturer.
 - 7 A. An appliance and cart combination should be moved with care. Quick stops, excessive force, and uneven surfaces may cause an overturn.
8. Ventilation - The appliance should be situated so its location does not interfere with its proper ventilation. For example, the appliance should not be situated on a bed, sofa, rug, or similar surface that may block the ventilation slots.
9. Heat - The appliance should be situated away from heat sources such as radiators, heat registers, stoves, or other appliances (including amplifiers) that produce heat.



10. Power Sources - The appliance should be connected to a power supply only of the type described in the operating instructions or as marked on the appliance.

11. Grounding or Polarization - Precautions should be taken so that the grounding or polarization means of an appliance is not defeated.

12. Power-Cord Protection - Power-supply cords should be routed so that they are not likely to be walked on or pinched by items placed upon or against them, paying particular attention to cords at plugs, convenience receptacles, and the point where they exit from the appliance.

13. Cleaning - Unplug this unit from the wall outlet before cleaning. Do not use liquid cleaners or aerosol cleaners. Use a damp cloth for cleaning.

14. Power lines - An outdoor antenna should be located away from power lines.

15. Non-use Periods - The power cord of the appliance should be unplugged from the outlet when left unused for a long period of time.

16. Object and Liquid Entry - Care should be taken so that objects do not fall and liquids are not spilled into the enclosure through openings.

17. Damage Requiring Service - The appliance should be serviced by qualified service personnel when:

- A. The power supply cord or plug has been damaged; or
- B. Objects have fallen into the appliance; or
- C. The appliance has been exposed to rain; or
- D. The appliance does not appear to operate normally or exhibits a marked change in performance; or
- E. The appliance has been dropped, or the enclosure damaged.

18. Servicing - The user should not attempt to service the appliance beyond that described in the operating instructions. All other servicing should be referred to qualified service personnel.

Note: To CATV system installer's (U.S.A.): This reminder is provided to call the CATV system installer's attention to Article 820-40 of the NEC that provides guidelines for proper grounding and, in particular, specifies that the cable ground shall be connected as close to the point of cable entry as practical.



This device complies with Part 15 of the FCC rules. Operation is subject to the condition that this device may not cause harmful interference.

FCC license may be required

FCC Information

1. IMPORTANT NOTICE: DO NOT MODIFY THIS UNIT!
This product, when installed as indicated in the instructions contained in this manual, meets FCC requirements. Modifications not expressly approved by Vocopro may void your authority, granted by the FCC, to use this product.

2. IMPORTANT: When connecting this product to accessories and/or another product use only high quality shielded cables. Cable(s) supplied with this product **MUST** be used. Follow all installation instructions. Failure to follow instructions could void your FCC authorization to use this product in the U.S.A.

3. NOTE: This product has been tested and found to comply with the requirements listed in FCC Regulations, Part 15 for Class "B" digital devices. Compliance with these requirements provides a reasonable level of assurances that your use of this product in a residential environment will not result in harmful interference with other electronic devices. This equipment generates/uses radio frequencies and, if not installed and used according to the instructions found in the owner's manual, may cause interference harmful to the operation of other electronic devices. Compliance with FCC regulations does not guarantee that interference will not occur in all installations. If this product is found to be the source of interference, which can be determined by turning the unit "Off" and "On", please try to eliminate the problem by using one of the following measures:

Relocate either this product or the device that is being affected by the interference.

Use power outlets that are on different branch (circuit breaker or fuse) circuits or install AC line filter(s).

In the case of radio or TV interference, relocate/reorient the antenna. If the antenna lead-in is 300-ohm ribbon lead, change the lead-in to coaxial type cable.

If these corrective measures do not produce satisfactory results, please contact your local retailer authorized to distribute Vocopro products. If you can not locate the appropriate retailer, please contact Vocopro, 1728 Curtiss Court, La Verne, CA 91750.

CAUTION:
READ THIS BEFORE OPERATING YOUR UNIT

1. To ensure the finest performance, please read this manual carefully. Keep it in a safe place for future reference.
2. Install your unit in a cool, dry, clean place - away from windows, heat sources, and too much vibration, dust, moisture or cold. Avoid sources of hum (transformers,

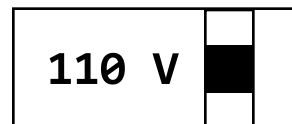
electric motors). To prevent fire or electrical shock, do not expose to rain and water.

3. Do not operate the unit upside-down.
4. Never open the cabinet. If a foreign object drops into the set, contact your dealer.
5. Place the unit in a location with adequate air circulation. Do not interfere with its proper ventilation; this will cause the internal temperature to rise and may result in a failure.
6. Do not use force on switches, knobs or cords. When moving the unit, first turn the unit off. Then gently disconnect the power plug and the cords connecting to other equipment. Never pull the cord itself.
7. Do not attempt to clean the unit with chemical solvents; this might damage the finish. Use a clean, dry cloth.
8. Be sure to read the "Troubleshooting" section on common operating errors before concluding that your unit is faulty.
9. This unit consumes a fair amount of power even when the power switch is turned off. We recommend that you unplug the power cord from the wall outlet if the unit is not going to be used for a long time. This will save electricity and help prevent fire hazards. To disconnect the cord, pull it out by grasping the plug. Never pull the cord itself.
10. To prevent lightning damage, pull out the power cord and remove the antenna cable during an electrical storm.
11. The general digital signals may interfere with other equipment such as tuners or receivers. Move the system farther away from such equipment if interference is observed.

NOTE: Please check the copyright laws in your country before recording from records, compact discs, radio, etc. Recording of copyrighted material may infringe copyright laws.

Voltage Selector (General Model Only)

Be sure to position the voltage selector to match the voltage of your local power lines before installing the unit.

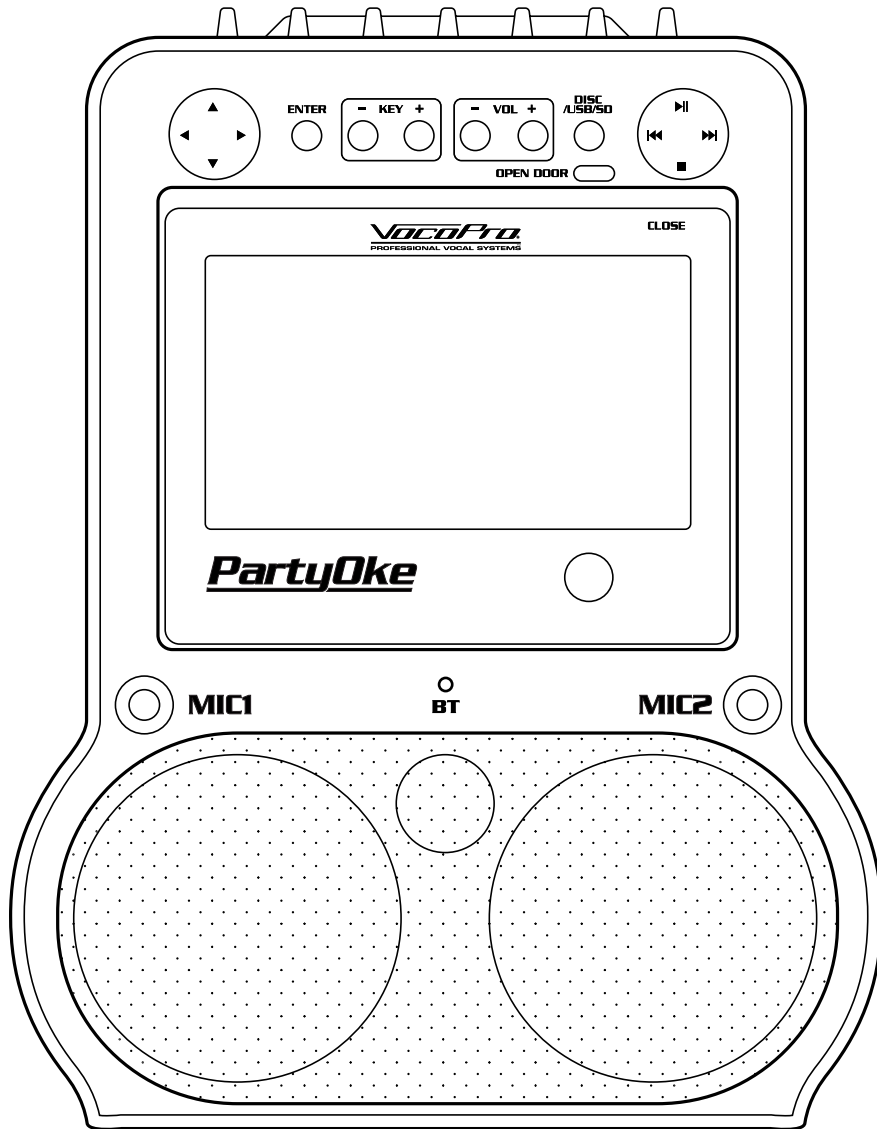


CAUTION: The apparatus is not disconnected from the AC power source so long as it is connected to the wall outlet, even if the apparatus itself is turned off. To fully ensure that the apparatus is indeed fully void of residual power, leave unit disconnected from the AC outlet for at least fifteen seconds.

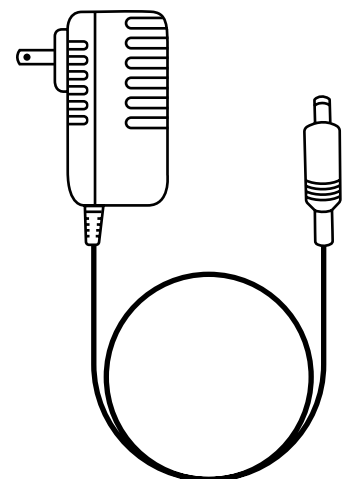
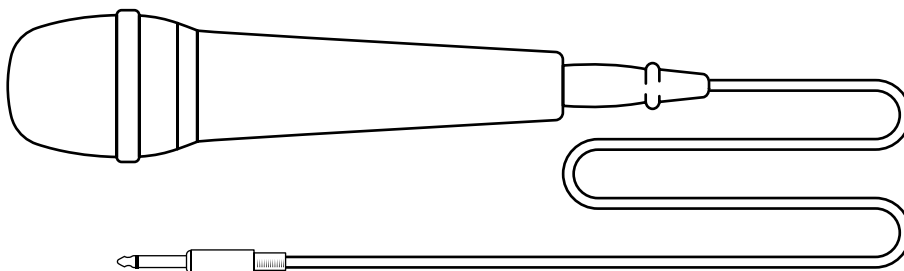
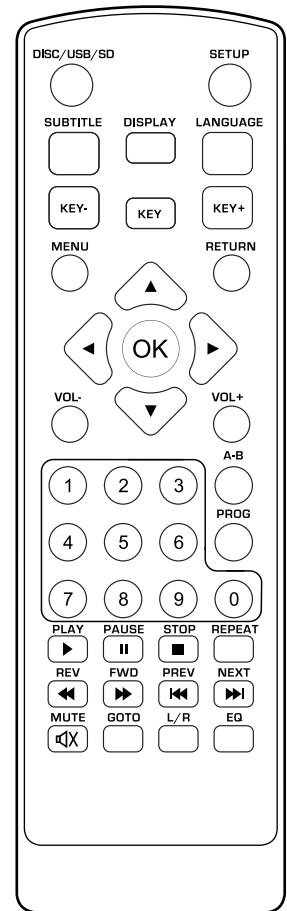
CALIFORNIA PROP 65 WARNING

⚠ WARNING: Cables, Cable Assemblies, and Printed Circuit Boards can expose you to chemicals including lead and lead compounds which are known to the State of California to cause cancer and birth defects or other reproductive harm. For more information, go to www.P65Warnings.ca.gov

What's In The Box:



- PartyOke System
- Professional Microphone
- DC 12V Wall Connection
- Remote Control



Microphone, MIC cable, and wall charger may appear different from illustration.

Rear Panel Connections:

Audio Input: Connect an external audio source here via RCA cable (ex. DVD player, media streaming device).

Note: In order to hear the audio source, make sure the input dial knob (on top panel of PartyOke) is turned to AUX/BT input channel setting.

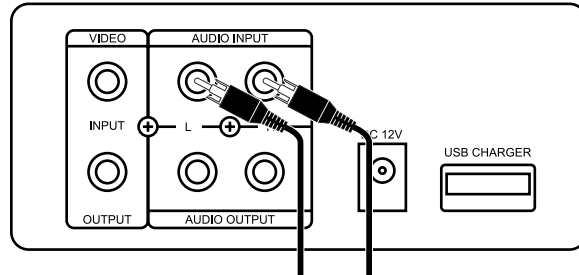


Fig. 1

Audio Output: Connect a set of RED/WHITE RCA Cables here to an available RCA Input on a mixer or POWERED speaker system.

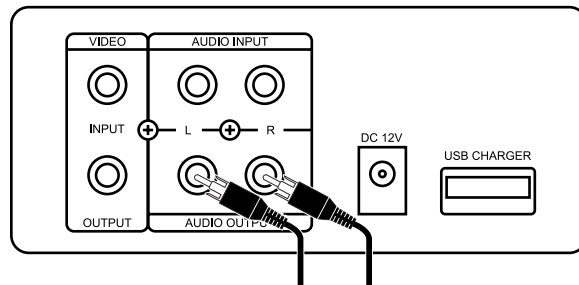


Fig. 2

Video Out: Connect composite video cable (yellow RCA jack) from here to a monitor with available composite video input.

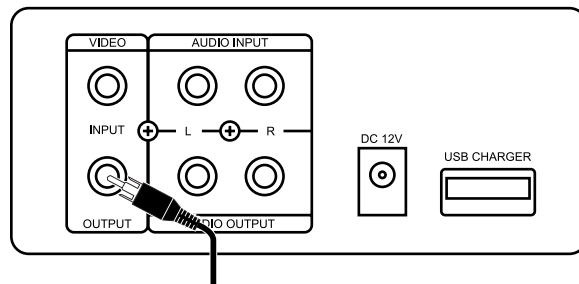


Fig. 3

Video Input: Send video from an external source via composite video cable (yellow RCA jack) to have that video display on PartyOke screen.

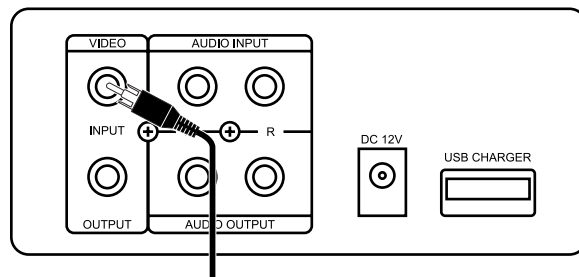


Fig. 4

Connecting Your Device:

DC 12V: Connect the included power supply here.

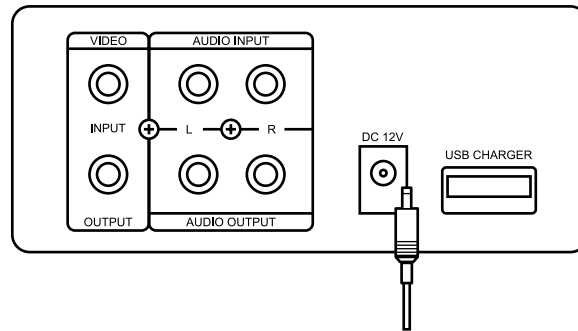


Fig. 5

USB CHARGER: You can connect and charge your device here with a USB cable, not included. Please note: this connection only supplies power and is not for audio playback.

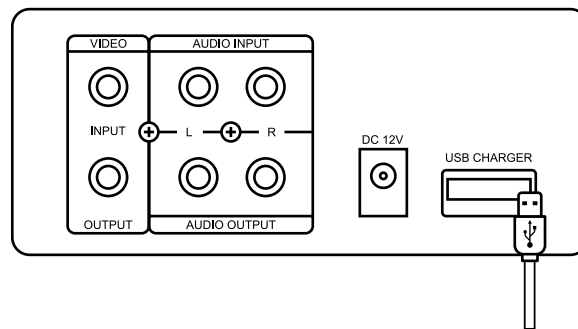


Fig. 6

Playing a disc:

- Turn the unit power on.
- Press the OPEN DOOR button to open the disc compartment door. (Fig. 7)
Note: It is advised to never attempt to open the disc compartment door during playback (while the disc is spinning).
- Hold the disc by the edges and place it in the disc spindle platter, then gently return the door to a close. (Fig. 8)
- CAUTION: Do not place any foreign objects in the disc compartment, and do not place more than one disc in the disc compartment at a time.
- Turn the input dial knob to the DISC/USB/SD setting and use the DISC/USB/SD input selector button on the front panel to ready the PartyOke for disc playback. (Fig. 9)

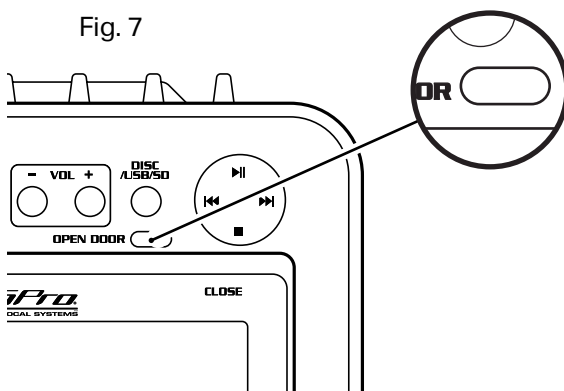


Fig. 7

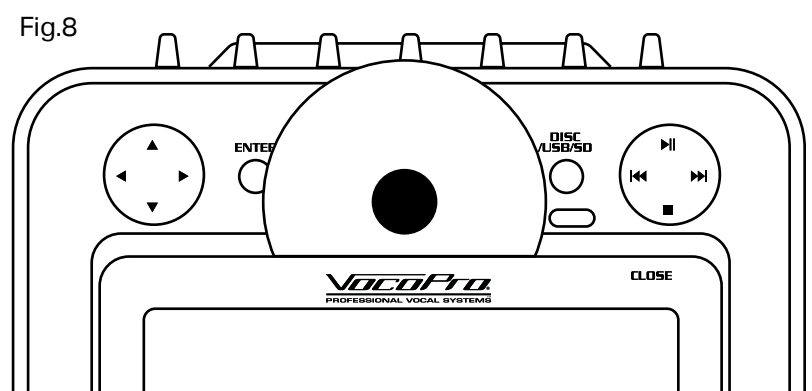


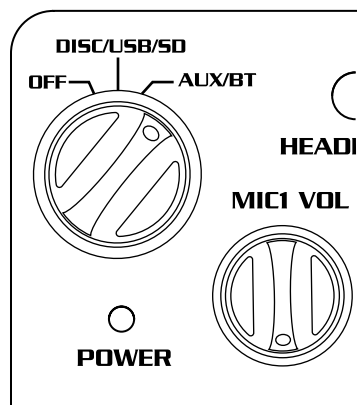
Fig. 8

Connecting Your Device:

Connecting via Bluetooth:

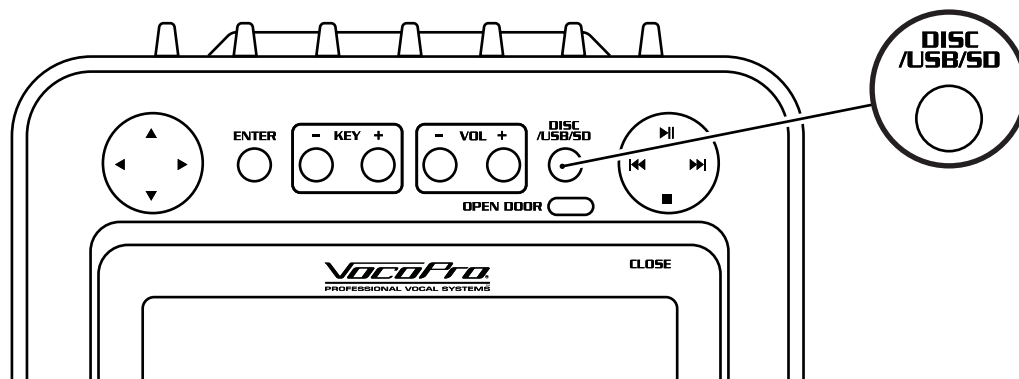
1. Set the input selector knob to AUX/BT.
2. Turn on Bluetooth on your device, in the devices list it will be listed as "PartyOke"
3. It may ask you to put in a pin, enter "0000" and then pair.

Fig. 9



Inserting a USB Drive or SD Card:

1. Insert your USB drive or SD card into the designated slot.
2. Turn the input selector knob to DISC/USB/SD.
3. Use the DISC/USB/SD button on the front to select the desired mode.
4. At this point, all CD playback function buttons are enabled for use with the USB drive and SD card.



Functions:

TOP PANEL:

1. Input select:

DISC/USB/SD - This setting instructs the PartyOke to readily engage any of the three media input sources.

AUX/BT - This setting will allow you to play a device connected to the inputs on the back, or to connect wirelessly via Bluetooth.

2. **HEADPHONE:** Plug 3.5mm or 1/8th jack headphones.

3. **DATA USB:** Connect a USB drive here to play digital files.

4. **SD CARD:** Insert an SD card into this slot (cards above SDHC 32GB not compatible).

Note: The PartyOke can read MP3, MP3+G, and AVI type files.

5. **MASTER VOLUME:** Raises or lowers the music output volume.

6. **POWER LED:** Indicates when the unit is on or off.

7. **MIC 1 Volume:** This knob alters the volume of a mic plugged into the MIC 1 input jack.

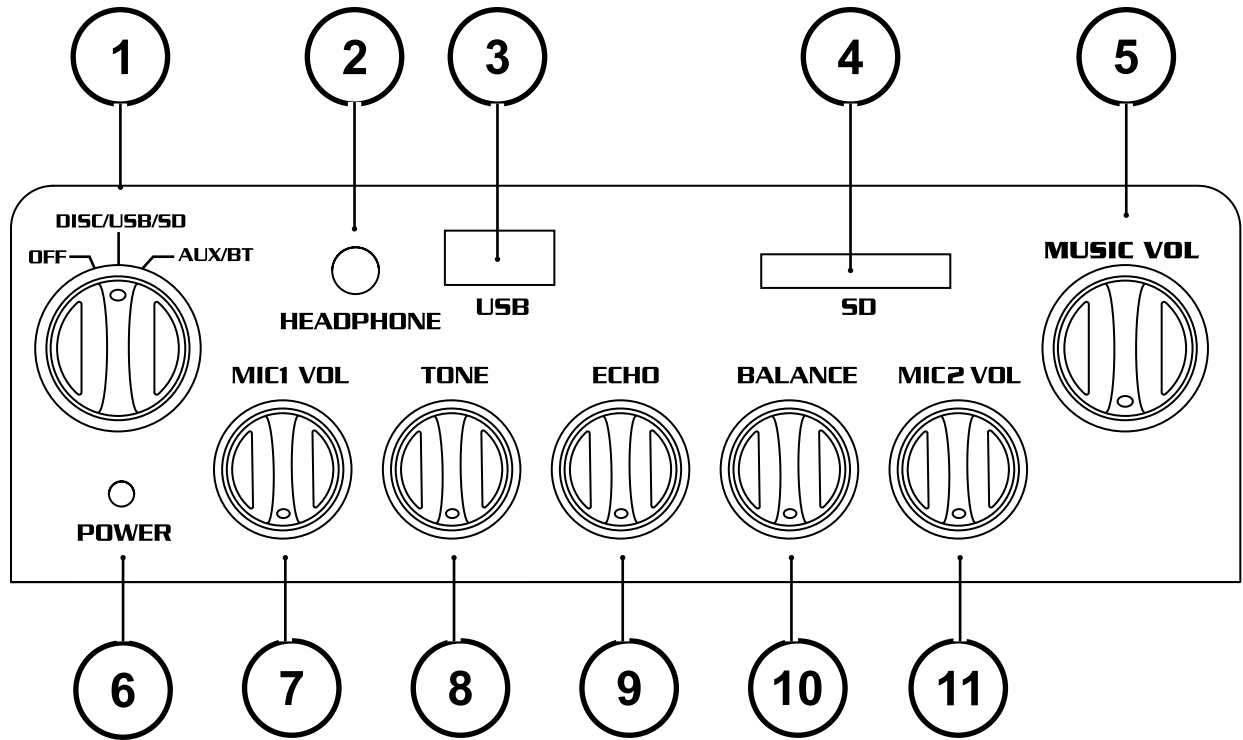
8. **TONE:** This knob alters the high/mid/low-frequency response of the music signal. Put this knob centered (12 o' clock) for unaltered music audio.

9. **ECHO:** This knob controls the amount of echo effect (delay/repeat) applied to the mic input signal.

10. **BALANCE:** Rotate knob to pan audio either left and right or keep knob centered for a stereo image.

11. **MIC 2 Volume:** This knob alters the volume of a mic plugged into the MIC 2 input jack.

Functions, Top View:

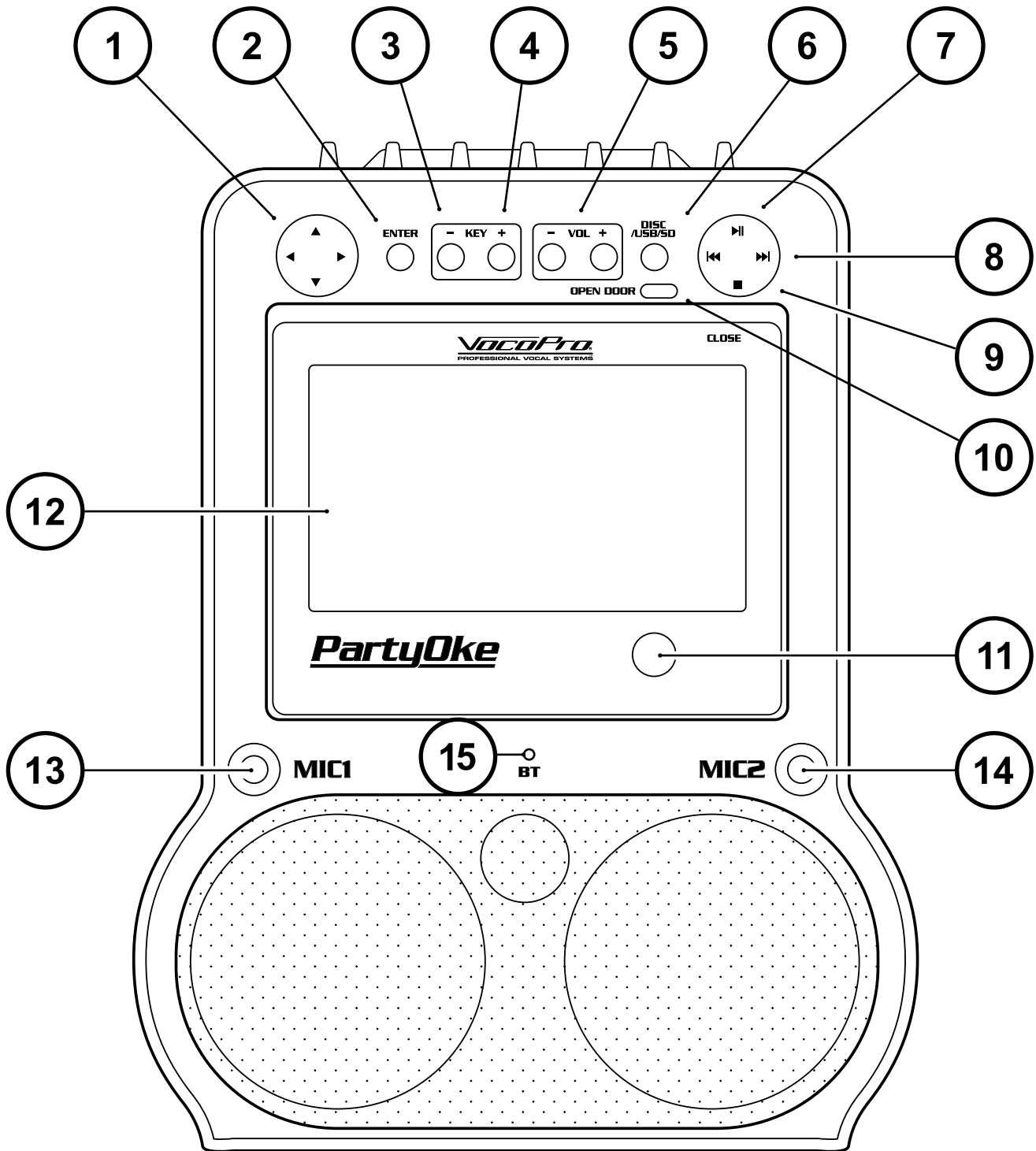


Functions:

FRONT PANEL:

1. **Navigation Buttons:** Up, Down, Left & Right buttons used for navigating through display menus.
2. **ENTER:** Use this button to select certain available options/functions.
3. **KEY (-)** Lowers the key of music played from either CD or USB.
4. **KEY (+)** Raises the key of music played from either CD or USB.
Note: The Key, of the currently playing song, will only automatically reset (to originally recorded key) when the disc, USB flash drive or SD card is removed from the PartyOke.
5. **VOL (+/-)** Raise and lower the volume level.
6. **DISC/USB/SD:** This button cycles through three media input playback sources.
7. **|<< / >>| (PREVIOUS/NEXT buttons)** Use these buttons to skip to the next track >>| or jump back to a previous track |<<
8. **-|| (PLAY/PAUSE buttons)** Use this button to start playback. Press once to start playback, once again to set the pause mode, and once more to resume playback.
9. **STOP ■** Press once to immediately cease playback.
10. **OPEN DOOR:** Press to reveal CD player behind the display screen.
11. **IR sensor:** Receives signal from the included remote control.
12. **Display:** Shows any video content provided by a DISC, USB flash-drive, or SD card.
13. **MIC 1 Input:** Connect a 1/4" unbalanced microphone here.
14. **MIC 2 Input:** Connect a 1/4" unbalanced microphone here.
15. **Bluetooth Indicator:** This light will flash when waiting for a device to connect. It will stay solid once a device is connected but no audio is playing. When you play audio on your device the light will flash.

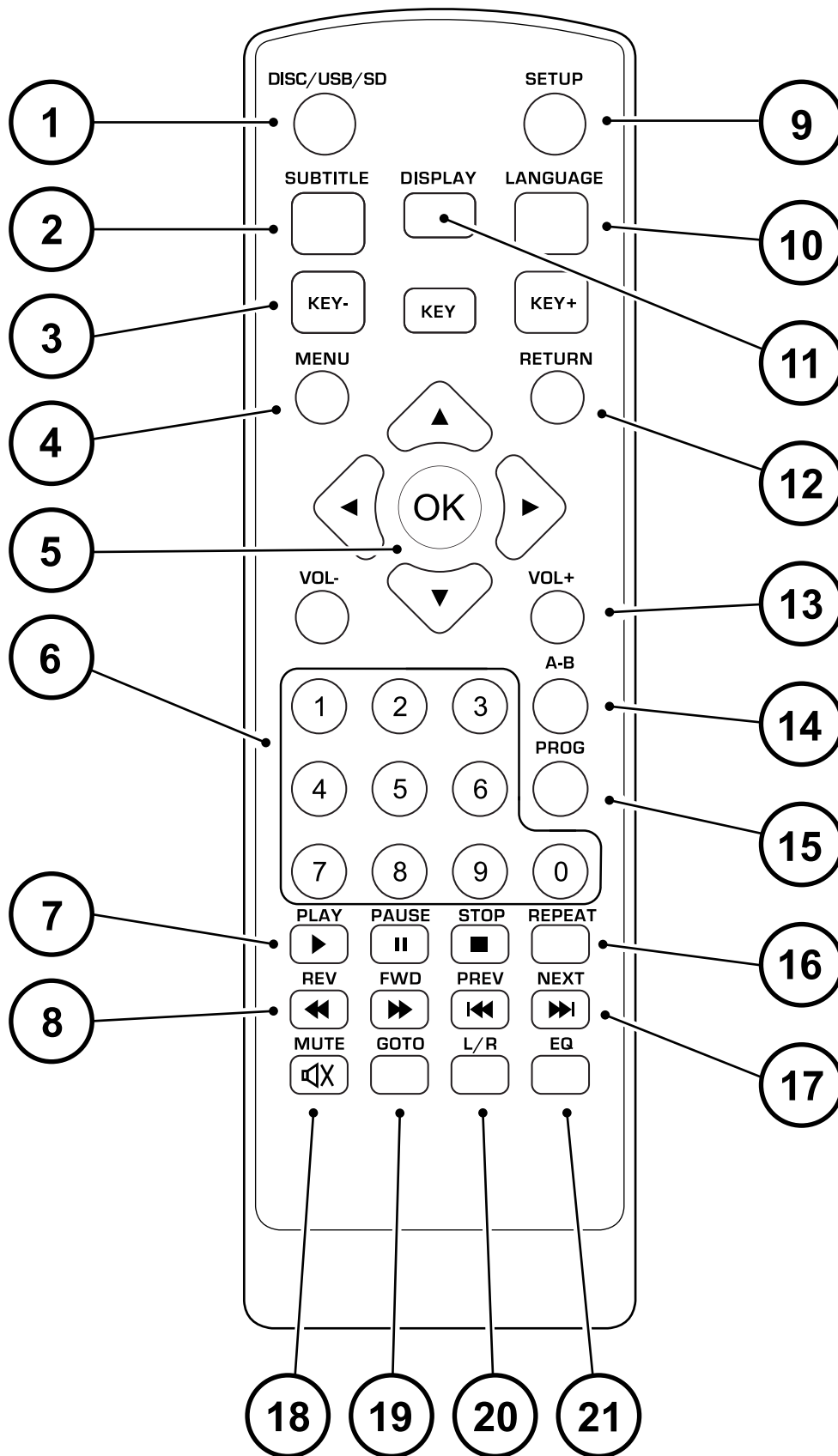
Functions, Front View:



Functions, Remote:

1. **CD/USB/SD:** Press this button to toggle between CD player or USB reader as the main audio source.
2. **SUBTITLE:** Press to access the SUBTITLE selection window
3. **KEY:** -KEY lowers the key of CD/USB track one half-step increment.
KEY returns music to it's original key.
+ KEY raises the key of CD/USB track one half-step increment.
4. **MENU:** Returns the user to the original menu.
5. **Arrows and OK Buttons:** These buttons allow the user to navigate through menus and apply different functions allotted by the PartyOke.
6. **0-9:** Use these buttons to make specific track number selections.
7. **▶ || (PLAY/PAUSE buttons):** Use ▶ to start. Use || to temporarily cease CD/USB playback, press again to resume.
8. **▶▶ (Fast forward button):** Press and hold to skip forward through the currently playing track/movie.
◀◀ (Rewind button): Press and hold to revert to a previous moment in time, within the track/movie being played.
9. **SETUP:** Prompts a menu with various advance functions (see set-up menu page).
10. **LANGUAGE:** Use to select from available languages on discs with various recorded audio tracks.
11. **DISPLAY:** This function will provide current track information on your connected video monitor.
12. **RETURN:** For use with VCDs, this button will return to previous menu or page.
13. **VOLUME:** VOL+ will increase volume, VOL- will decrease volume.
14. **A-B:** Allows you to loop a certain section of a disc, causing it to repeat continuously.
15. **PROGRAM:** You can program up to 16 tracks on a CD or chapters in a movie to play in a custom order.
16. **REPEAT:** Enable to have the PartyOke replay the currently playing track, once finished.
17. **▶▶ (Next button):** Press to skip forward to next track/chapter
◀◀ (Previous button): Press once to return to the beginning of the currently playing track or press twice in rapid succession to navigate to the previous track/chapter.
18. **MUTE:** Temporarily disables all audio output from the PartyOke.
19. **GOTO:** Use to navigate to specific portions of VCD discs.
20. **L/R:** Toggles whether audio output is sent from the left, right or both channels. If using a multi-plex formatted disc, this button may be used to essentially cancel track vocals.
21. **EQ:** Press to cycle between genre tuned, bass and treble adjusted audio presets.

Functions, Remote View:



LIMITED DOMESTIC WARRANTY

VOCOPRO WARRANTS ALL PRODUCTS PURCHASED IN U.S. AGAINST DEFECTS IN MATERIAL OR WORKMANSHIP FOR A PERIOD OF ONE YEAR FROM THE INITIAL DATE OF RETAIL PURCHASE FROM AN AUTHORIZED VOCOPRO DEALER, OR, ONE YEAR FROM THE DATE OF MANUFACTURE IF THE PROOF OF PURCHASE DATE IS NOT AVAILABLE. This limited warranty extends to all purchasers or owners of the product during the warranty period with the original retail purchase. VocoPro does not, however, warrant it's products against any and all defects: 1) arising out of material or workmanship not provided or furnished by VocoPro, 2) resulting from abnormal use of the product or caused by use in violation of product instructions, 3) in products repaired or serviced by other service technicians other than authorized VocoPro repair facilities, 4) in products with removed or defaced serial numbers or 5) in components, parts or products expressly warranted by another manufacturer. VocoPro agrees to supply all parts and labor to repair or replace defects covered by this limited warranty with parts or products of original or improved design, at its option in each respect, if the defective product is shipped prior to the end of warranty period to any authorized VocoPro warranty repair facility in U.S., or to the VocoPro, in the original packaging or a replacement supplied by VocoPro, with all transportation costs and full insurance paid each way by the purchaser or owner.

LIMITED WARRANTY OUTSIDE THE U.S.

VOCOPRO PRODUCTS ARE WARRANTED ONLY IN THE COUNTRY WHERE PURCHASED THROUGH AN AUTHORIZED VOCOPRO DISTRIBUTOR IN THAT COUNTRY AGAINST DEFECTS IN MATERIAL OR WORKMANSHIP. THE SPECIFIC PERIOD OF THIS LIMITED WARRANTY SHALL BE THAT WHICH IS DESCRIBED TO THE ORIGINAL RETAIL PURCHASER BY THE AUTHORIZED DEALER OR DISTRIBUTOR AT THE TIME OF PURCHASE.

VocoPro does not, however, warrant it's products against any and all defects: 1) arising out of material or workmanship not provided or furnished by VocoPro, 2) resulting from abnormal use of the product or caused by use in violation of product instructions, 3) in products repaired or serviced by other service technicians other than authorized VocoPro repair facilities, 4) in products with removed or defaced serial numbers or 5) in components, parts or products expressly warranted by another manufacturer. VocoPro agrees through the applicable authorized distributor, to repair or replace defects covered by this limited warranty with parts or products of original or improved design, at its option in each respect, if the defective product is shipped prior to end of warranty period to designated authorized VocoPro warranty repair facility in the country where purchased, or to the VocoPro Headquarter in the U.S., in the original packaging or a replacement supplied by VocoPro, with all transportation costs and full insurance paid each way by the purchaser or owner.

ALL REMEDIES AND THE MEASURE OF DAMAGES ARE LIMITED TO THE ABOVE SERVICES. IT IS POSSIBLE THAT ECONOMIC LOSS OR INJURY TO PERSON OR PROPERTY MAY RESULT FROM THE FAILURE OF THE PRODUCT; HOWEVER, EVEN IF VOCOPRO HAS BEEN ADVISED OF THIS POSSIBILITY, THIS LIMITED WARRANTY DOES NOT COVER ANY SUCH CONSEQUENTIAL OR INCIDENTAL DAMAGES. SOME STATES OR COUNTRIES DO NOT ALLOW THE LIMITATIONS OR EXCLUSIONS OF INCIDENTAL OR CONSEQUENTIAL DAMAGES, SO THE ABOVE LIMITATION MAY NOT APPLY TO YOU.

ANY AND ALL WARRANTIES, EXPRESSED OR IMPLIED, ARISING BY LAW, COURSE OF DEALING, COURSE OF PERFORMANCE, USAGE OF TRADE, OR OTHERWISE, INCLUDING BUT NOT LIMITED TO IMPLIED WARRANTIES OF MERCHANTABILITY AND FITNESS FOR A PARTICULAR PURPOSE, ARE LIMITED TO A PERIOD OF ONE YEAR FROM EITHER THE DATE OF ORIGINAL RETAIL PURCHASE OR, IN THE EVENT OF NO PROOF OF PURCHASE DATE IS AVAILABLE, THE DATE OF MANUFACTURE. SOME STATES OR COUNTRIES DO NOT ALLOW LIMITATIONS ON HOW LONG AN IMPLIED WARRANTY LASTS, SO THE ABOVE LIMITATIONS MAY NOT APPLY TO YOU.

THE LIMITED WARRANTY GIVES YOU SPECIFIC LEGAL RIGHTS, AND YOU MAY ALSO HAVE OTHER RIGHTS THAT VARY FROM STATE TO STATE, COUNTRY TO COUNTRY.

LIMITED DOMESTIC WARRANTY

From:

Place
Stamp
Here

To: VOCOPRO HEADQUARTER
1728 CURTISS COURT
LA VERNE, CA 91750

WARRANTY PROCEDURE

TO VALIDATE YOUR WARRANTY: Fill out the attached warranty card, being sure to include the model and serial number of the unit since this is how warranty cards are tracked. If your VocoPro product was purchased in the U.S., mail the completed card directly to VocoPro within 10 days of the date of purchase. If you purchased the product outside the U.S. you must file your warranty registration card with the distributor in that country. It is advised that you keep your bill of sale as proof of purchase, should any difficulties arise concerning the registration of the warranty card.

WARRANTY REGISTRATION is made and tracked by MODEL AND SERIAL NUMBER ONLY, not by the purchaser's or owner's name. Therefore any warranty correspondence or inquiries MUST include the model and serial number of the product in question. Be sure to fill in the model and serial number in the space provided below and keep this portion of the warranty card in a safe place for future reference.

WARRANTY SERVICE MUST BE PERFORMED ONLY BY AN AUTHORIZED VOCOPRO SERVICE FACILITY LOCATED IN THE COUNTRY WHERE THE UNIT WAS PURCHASED, OR AT THE VOCOPRO HEADQUARTERS IN THE U.S. It is recommended that advance notice be given to the repair facility to avoid needless shipment in case the problem can be solved over the phone. UNAUTHORIZED SERVICE PERFORMED WILL VOID ANY EXISTING FACTORY WARRANTY ON THAT PRODUCT.

FACTORY SERVICE: If you wish your product to be serviced at the factory, it must be shipped FULLY INSURED, IN THE ORIGINAL PACKING OR EQUIVALENT. This warranty will NOT cover repairs on products damaged through improper packaging. If possible, avoid sending products through the mail. Be sure to include in the package:

1. Complete return shipping address (P.O. Box number are NOT acceptable).
2. A detailed description of any problems experienced, including the make and model numbers of any other equipment in the system.

Repaired products will be returned freight C.O.D. unless sufficient return shipment funds are included with the unit.

Products sent to the factory from outside the U.S. MUST include return freight funds, and the sender is fully responsible for all, customs procedures, duties, tariffs and deposits.

RECORD THE MODEL AND SERIAL NUMBER BELOW AND RETAIN THIS PORTION OF THE WARRANTY CARD FOR YOUR FILES:

MODEL

SERIAL NUMBER

DATE OF PURCHASE

PLACE OF PURCHASE

LIMITED DOMESTIC WARRANTY

Detach this portion and mail it to the factory

MODEL _____ MANUFACTURE DATE _____ SERIAL NO. _____

OWNER'S NAME _____ ADDRESS _____

CITY _____ STATE _____ ZIP _____

The following information is appreciated, but not required:

Dealer's name and address: _____

What other products and/or product changes would you like to see Manufactured? _____

Any other comments: _____

Our Team is Here to Help



Please do not return to the retailer if you are having a technical issue operating or connecting the unit. If you need additional help, have questions, or need support with your VocoPro product contact us:

Toll Free: 800-678-5348

TEL: 909-593-8893

FAX: 909-593-8890

Email Tech Support at:
techsupport@vocopro.com

