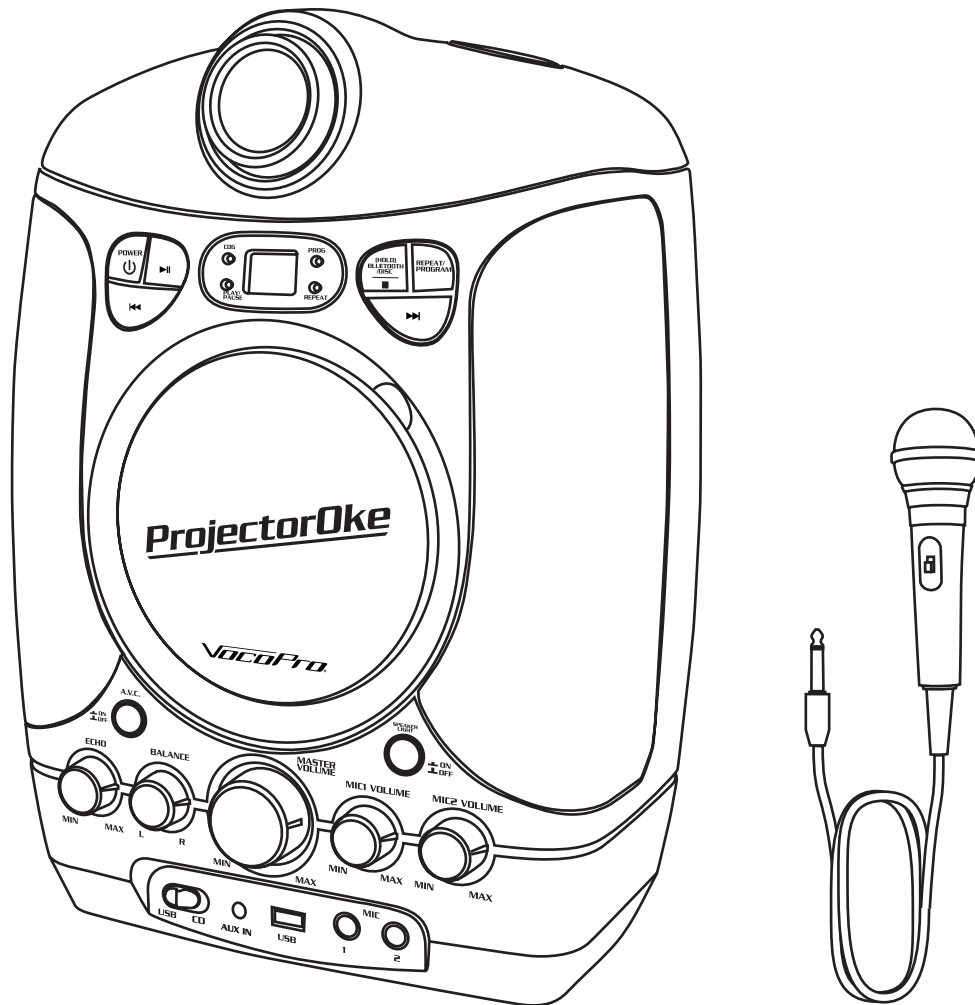


VocoPro[®]

PROFESSIONAL VOCAL SYSTEMS[™]



ProjectorOke

CD+G Karaoke Projector with LED Light Show

o w n e r ' s m a n u a l

Table of Contents

FCC Information	4
Safety Instructions.....	5
Welcome	6
Listening for a Lifetime.....	7
Getting Started	8
Getting Connected.....	9
Descriptions and Functions	24
Specifications	29
Troubleshoot	30

FCC Information

1. IMPORTANT NOTICE: DO NOT MODIFY THIS

UNIT!: This product, when installed as indicated in the instructions contained in this manual, meets FCC requirements. Modifications not expressly approved by Vocopro may void your authority, granted by the FCC, to use this product.

2. IMPORTANT: When connecting this product to accessories and/or another product use only high quality shielded cables. Cable(s) supplied with this product **MUST** be used. Follow all installation instructions. Failure to follow instructions could void your FCC authorization to use this product in the U.S.A.

3. NOTE: This product has been tested and found to comply with the requirements listed in FCC Regulations, Part 15 for Class "B" digital devices. Compliance with these requirements provides a reasonable level of assurances that your use of this product in a residential environment will not result in harmful interference with other electronic devices. This equipment generates/uses radio frequencies and, if not installed and used according to the instructions found in the owner's manual, may cause interference harmful to the operation of other electronic devices. Compliance with FCC regulations does not guarantee that interference will not occur in all installations. If this product is found to be the source of interference, which can be determined by turning the unit "Off" and "On", please try to eliminate the problem by using one of the following measures:

Relocate either this product or the device that is being affected by the interference.

Use power outlets that are on different branch (circuit breaker or fuse) circuits or install AC line filter(s).

In the case of radio or TV interference, relocate/reorient the antenna. If the antenna lead-in is 300-ohm ribbon lead, change the lead-in to coaxial type cable.

If these corrective measures do not produce satisfactory results, please contact your local retailer authorized to distribute Vocopro products. If you can not locate the appropriate retailer, please contact Vocopro, 1728 Curtiss Court, La Verne, CA 91750.

CAUTION

The apparatus is not disconnected from the AC power source so long as it is connected to the wall outlet, even if the apparatus itself is turned off. To fully ensure that the apparatus is indeed fully void of residual power, leave unit disconnected from the AC outlet for at least fifteen seconds.

CALIFORNIA PROP 65 WARNING

WARNING: This product contains chemicals known to the state of California to cause cancer and birth defects or other reproductive harm. (California law requires this warning to be given to customers in the State of California.)
For more information: www.vocopro.com/prop65

CAUTION:

READ THIS BEFORE OPERATING YOUR UNIT

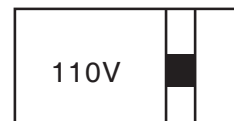
1. To ensure the finest performance, please read this manual carefully. Keep it in a safe place for future reference.
2. Install your unit in a cool, dry, clean place - away from windows, heat sources, and too much vibration, dust, moisture or cold. Avoid sources of hum (transformers, v motors). To prevent fire or electrical shock, do not expose to rain and water.
3. Do not operate the unit upside-down.
4. Never open the cabinet. If a foreign object drops into the set, contact your dealer.
5. Place the unit in a location with adequate air circulation. Do not interfere with its proper ventilation; this will cause the internal temperature to rise and may result in a failure.
6. Do not use force on switches, knobs or cords. When moving the unit, first turn the unit off. Then gently disconnect the power plug and the cords connecting to other equipment. Never pull the cord itself.
7. Do not attempt to clean the unit with chemical solvents: this might damage the finish. Use a clean, dry cloth.
8. Be sure to read the "Troubleshooting" section on common operating errors before concluding that your unit is faulty.
9. This unit consumes a fair amount of power even when the power switch is turned off. We recommend that you unplug the power cord from the wall outlet if the unit is not going to be used for a long time. This will save electricity and help prevent fire hazards. To disconnect the cord, pull it out by grasping the plug. Never pull the cord itself.
10. To prevent lightning damage, pull out the power cord and remove the antenna cable during an electrical storm.
11. The general digital signals may interfere with other equipment such as tuners or receivers. Move the system farther away from such equipment if interference is observed.

NOTE:

Please check the copyright laws in your country before recording from records, compact discs, radio, etc. Recording of copyrighted material may infringe copyright laws.

Voltage Selector (General Model Only)

Be sure to position the voltage selector to match the voltage of your local power lines before installing the unit.



Safety Instructions



CAUTION RISK OF SHOCK



CAUTION: To reduce the risk of electric shock, do not remove cover (or back). No user-serviceable parts inside. Only refer servicing to qualified service personnel.

Explanation of Graphical Symbols



The lightning flash & arrowhead symbol, within an equilateral triangle, is intended to alert you to the presence of danger.



The exclamation point within an equilateral triangle is intended to alert you to the presence of important operating and servicing instructions.

WARNING

To reduce the risk of fire or electric shock, do not expose this unit to rain or moisture.

- 1. Read Instructions** - All the safety and operating instructions should be read before the appliance is operated.
- 2. Retain Instructions** - The safety and operating instructions should be retained for future reference.
- 3. Heed Warnings** - All warnings on the appliance and in the operating instructions should be adhered to.
- 4. Follow Instructions** - All operating and use instructions should be followed.
- 5. Attachments** - Do not use attachments not recommended by the product manufacturer as they may cause hazards.
- 6. Water and Moisture** - Do not use this unit near water. For example, near a bathtub or in a wet basement and the like.
- 7. Carts and Stands** - The appliance should be used only with a cart or stand that is recommended by the manufacturer.
- 7 A.** An appliance and cart combination should be moved with care. Quick stops, excessive force, and uneven surfaces may cause an overturn.



8. Ventilation - The appliance should be situated so its location does not interfere with its proper ventilation. For example, the appliance should not be situated on a bed, sofa, rug, or similar surface that may block the ventilation slots.

9. Heat - The appliance should be situated away from heat sources such as radiators, heat registers, stoves, or other appliances (including amplifiers) that produce heat.

10. Power Sources - The appliance should be connected to a power supply only of the type described in the operating instructions or as marked on the appliance.

11. Grounding or Polarization - Precautions should be taken so that the grounding or polarization means of an appliance is not defeated.

12. Power-Cord Protection - Power-supply cords should be routed so that they are not likely to be walked on or pinched by items placed upon or against them, paying particular attention to cords at plugs, convenience receptacles, and the point where they exit from the appliance.

13. Cleaning - Unplug this unit from the wall outlet before cleaning. Do not use liquid cleaners or aerosol cleaners. Use a damp cloth for cleaning.

14. Power lines - An outdoor antenna should be located away from power lines.

15. Nonuse Periods - The power cord of the appliance should be unplugged from the outlet when left unused for a long period of time.

16. Object and Liquid Entry - Care should be taken so that objects do not fall and liquids are not spilled into the enclosure through openings.

17. Damage Requiring Service - The appliance should be serviced by qualified service personnel when:

- A. The power supply cord or plug has been damaged; or
- B. Objects have fallen into the appliance; or
- C. The appliance has been exposed to rain; or
- D. The appliance does not appear to operate normally or exhibits a marked change in performance; or
- E. The appliance has been dropped, or the enclosure damaged.

18. Servicing - The user should not attempt to service the appliance beyond that described in the operating instructions. All other servicing should be referred to qualified service personnel.

Note:

To CATV system installer's (U.S.A.): This reminder is provided to call the CATV system installer's attention to Article 820-40 of the NEC that provides guidelines for proper grounding and, in particular, specifies that the cable ground shall be connected as close to the point of cable entry as practical.



Welcome

And thank you for purchasing the **ProjectorOke** from VocoPro, your ultimate choice in Karaoke entertainment! With years of experience in the music entertainment business, VocoPro is a leading manufacturer of Karaoke equipment, and has been providing patrons of bars, churches, schools, clubs and individual consumers the opportunity to sound like a star with full-scale club models, in-home systems and mobile units. All our products offer solid performance and sound reliability, and to reinforce our commitment to customer satisfaction, we have customer service and technical support professionals ready to assist you with your needs. We have provided some contact information for you below.

VocoPro

1728 Curtiss Court
La Verne, CA 91750
Toll Free: 800-678-5348
TEL: 909-593-8893
FAX: 909-593-8890

VocoPro Company Email Directory

Customer Service & General Information

info@vocopro.com

Tech Support

techsupport@vocopro.com

Remember Our Website

Be sure to visit the VocoPro website **www.vocopro.com** for the latest information on new products, packages and promos. And while you're there don't forget to check out our Club VocoPro for Karaoke news and events, chat rooms, club directories and even a KJ Service directory!

We look forward to hearing you sound like a PRO, with VocoPro, the singer's ultimate choice.

FOR YOUR RECORDS

Please record the model number and serial number below, for easy reference, in case of loss or theft. These numbers are located on the rear panel of the unit. Space is also provided for other relevant information

Model Number

Serial Number

Date of Purchase

Place of Purchase

Listening for a Lifetime

Selecting fine audio equipment such as the unit you've just purchased is only the start of your musical enjoyment. Now it's time to consider how you can maximize the fun and excitement your equipment offers. VocoPro and the Electronic Industries Association's Consumer Electronics Group want you to get the most out of your equipment by playing it at a safe level. One that lets the sound come through loud and clear without annoying blaring or distortion and, most importantly, without affecting your sensitive hearing.

Sound can be deceiving. Over time your hearing "comfort level" adapts to a higher volume of sound. So what sounds "normal" can actually be loud and harmful to your hearing. Guard against this by setting your equipment at a safe level BEFORE your hearing adapts.

To establish a safe level:

- Start your volume control at a low setting.
- Slowly increase the sound until you can hear it comfortably and clearly, and without distortion.

Once you have established a comfortable sound level:

- Set the dial and leave it there.
- Pay attention to the different levels in various recordings.

Taking a minute to do this now will help to prevent hearing damage or loss in the future. After all, we want you listening for a lifetime.

Used wisely, your new sound equipment will provide a lifetime of fun and enjoyment. Since hearing damage from loud noise is often undetectable until it is too late, this manufacturer and the Electronic Industries Association's Consumer Electronics Group recommend you avoid prolonged exposure to excessive noise. This list of sound levels is included for your protection.

Some common decibel ranges:

Level	Example
30	Quiet library, Soft whispers
40	Living room, Refrigerator, Bedroom away from traffic
50	Light traffic, Normal Conversation
60	Air Conditioner at 20 ft., Sewing machine
70	Vacuum cleaner, Hair dryer, Noisy Restaurant
80	Average city traffic, Garbage disposals, Alarm clock at 2 ft.

The following noises can be dangerous under constant exposure:

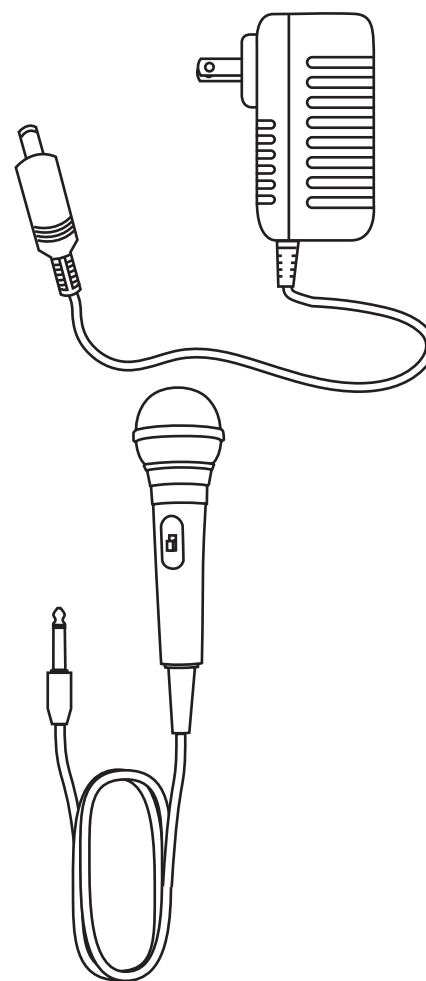
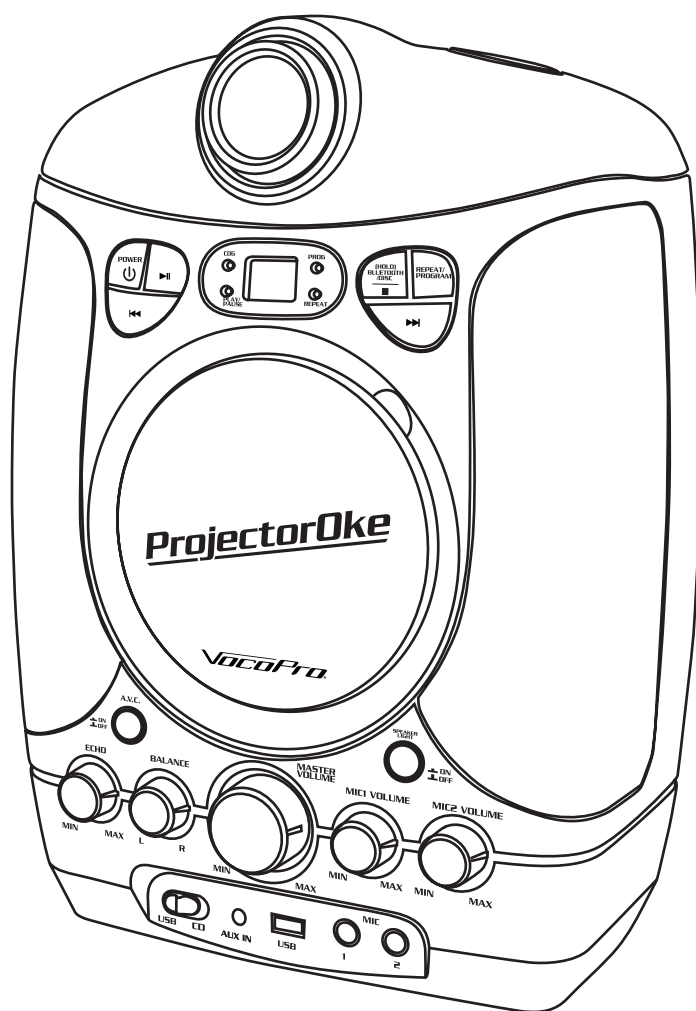
Level	Example
90	Subway, Motorcycle, Truck traffic, Lawn Mower
100	Garbage truck, Chainsaw, Pneumatics drill
120	Rock band concert in front of speakers
140	Gunshot blast, Jet plane
180	Rocket launching pad

-Information courtesy of the Deafness Research Foundation

Getting Started

What's in the box?

- ProjectorOke (x1)
- Wired Microphone (x1)
- Power Adapter (x1)

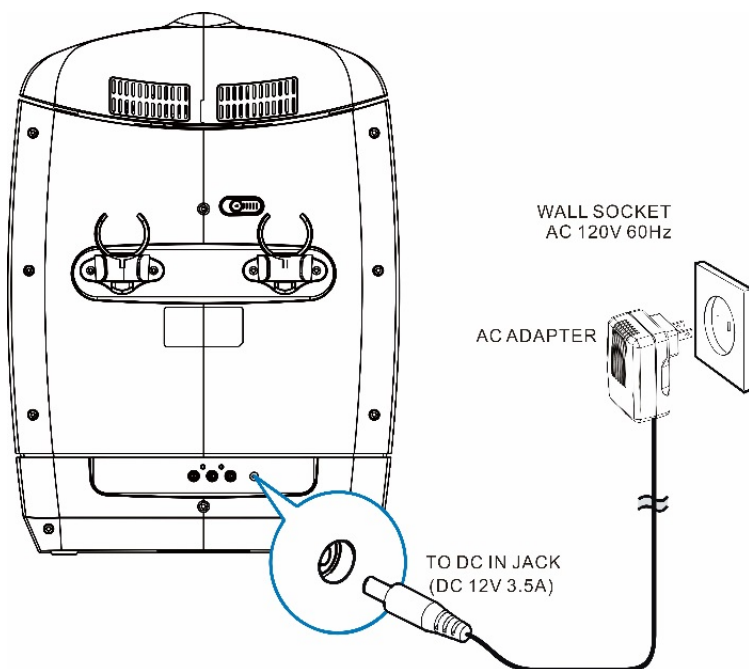


Getting Connected

Connecting for Power:

Plug the supplied AC adapter into the DC jack on the rear side of the unit and connect to a standard AC wall socket with 120V ~ 60Hz continuous power supply.

Note: When the unit is not operated for long periods of time, unplug the AC adapter from the unit and wall outlet.

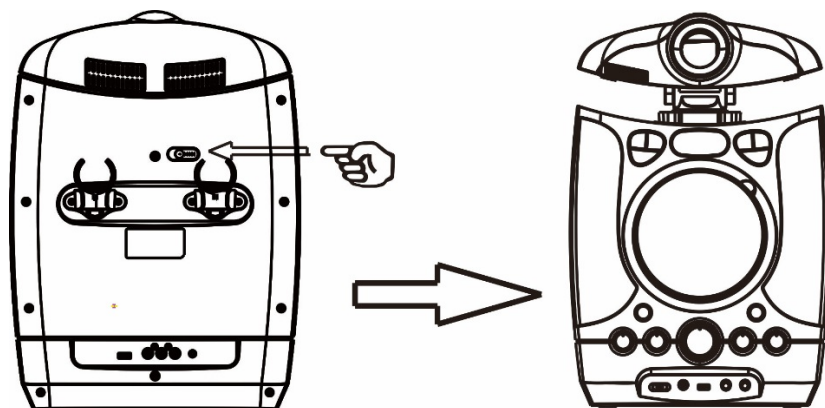


Getting Connected

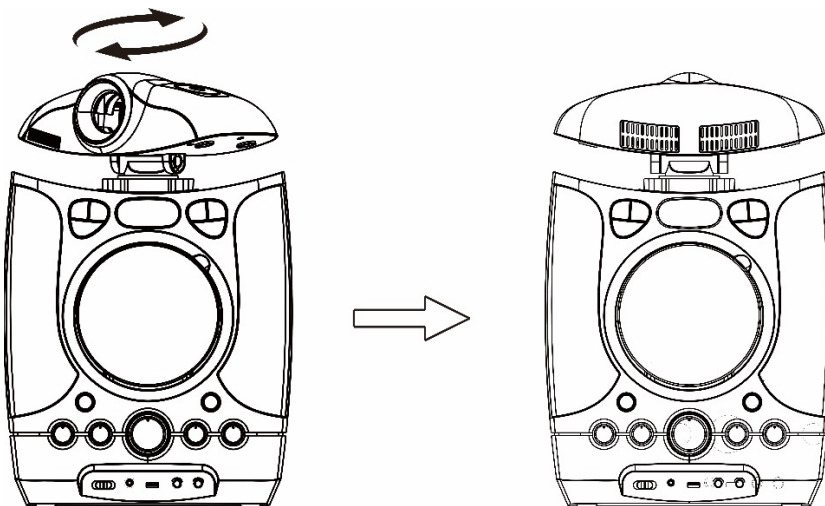
PROJECTOR FUNCTIONS INSTALLING THE UNIT

The lens shift allows you to have broader options for placing the unit and viewing pictures easily.

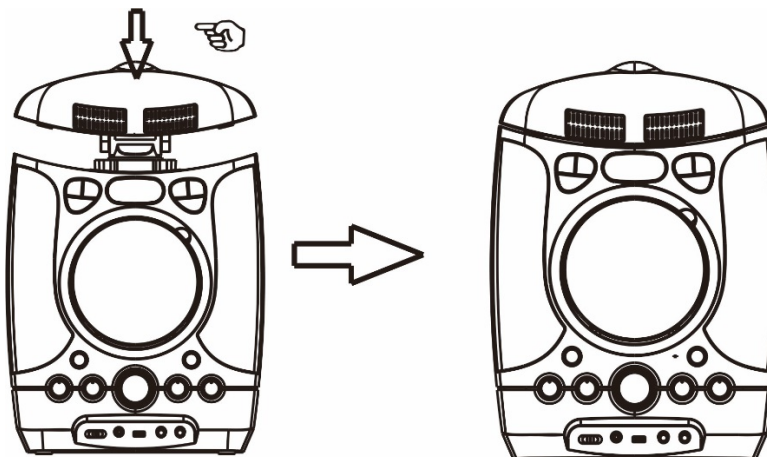
A: Push switch, lift the lens



B: Rotating lens



C: Press down the lens will be auto locked .



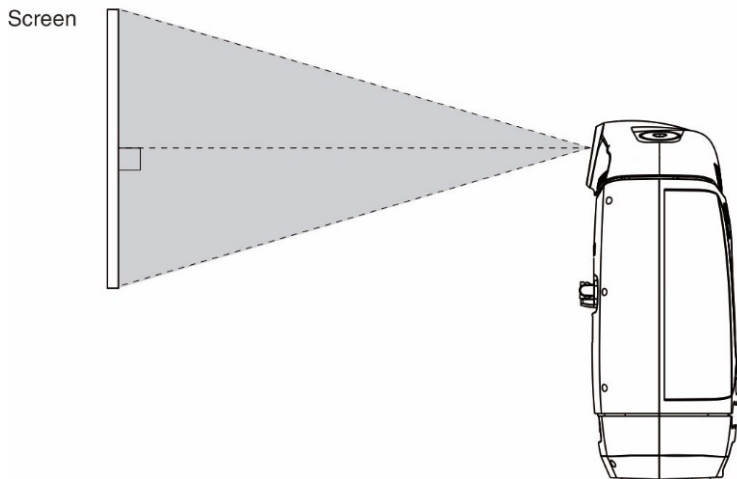
Getting Connected

INSTALLING THE UNIT:

The installation distance between the unit and a screen varies depending on the size of the screen or whether or not you use the lens shift features. Install this unit so that it fits the size of your screen. For details on the distance between the unit and the screen (the projection distance) and the size of projected video, see “Projection Distance and Lens Shift Range”

1. Position the unit parallel to the screen.

Top view



2. To adjust the horizontal position

The picture projected on the screen moves right or left by a maximum of 31% of the screen width from the center of the lens.

3. Project an image on the screen and adjust the picture so that it fits the screen

Note:

When using a screen with an uneven surface, stripes pattern may rarely appear on the screen depending on the distance between the screen and the unit or the zooming magnifications. This is not a malfunction of the unit.

Getting Connected

START-UP AND SHUT DOWN THE PROJECTOR

1. Press Projector ON/OFF button to turn on the unit.
The lens protector will open.

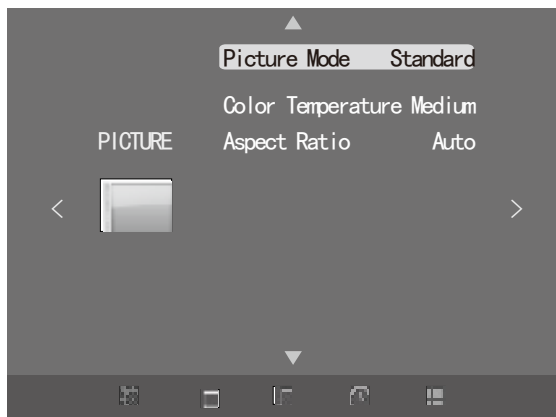
2. Press Projector LED button Close projection display output

Operation through the Menus

The unit is equipped with an on-screen menu for making various adjustments and settings.

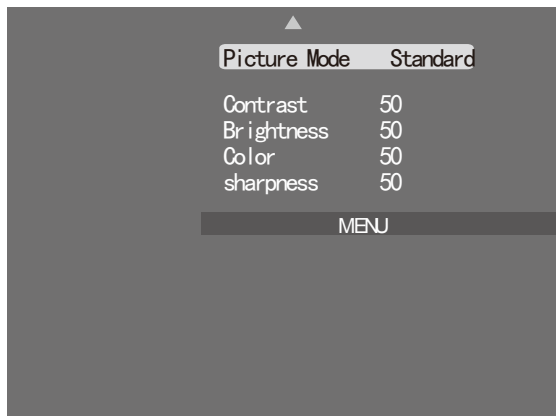
If you select an item name followed by an arrow (▶), the next menu window with setting items appears.

1. Press Projector **MENU** button on the projector to turn the menu on. Press ◀ / ▲ / ▼ / ▶ to select a desired menu and make various adjustments and settings, press **ENTER** to confirm.



PICTURE menu

The Picture menu is used for adjusting the picture



Getting Connected

Contrast:

Adjusts the contrast.

Higher values increase the sharpness in images, while lower values decrease the sharpness. You can make adjustments by pressing the **CONTRAST** +/- on the ◀ / ▶ Key

Brightness

The higher the setting, the brighter the picture. The lower the setting, the darker the picture. You can make adjustments by pressing the **BRIGHTNESS** +/- on the ◀ / ▶ Key

Color Adjusts the color density.

The higher the setting, the greater the intensity. The lower the setting, the lower the intensity.

Sharpens the outline of the picture, or reduces the noise.

The higher the setting, the sharper the picture. The lower the setting, the softer the picture, thus reducing the noise.

You can make adjustments by pressing the **SHARPNESS** +/- on the ◀ / ▶ Key.

Adjust the picture size.

The Aspect Ratio menu is used for adjusting the picture aspect ratio.



Zoom1: A 1.85:1 aspect ratio picture is displayed in its original aspect ratio, enlarged so that black bands do not appear at the top and bottom of the screen.

Zoom2: A 2.35:1 aspect ratio picture is displayed in its original aspect ratio, enlarged so that black bands at the top and bottom of the screen are as small as possible.

Panorama: Input video is displayed in its original aspect ratio, enlarged to fill the screen. This mode is suitable for viewing 1.78:1 (16:9) and 1.33:1 (4:3) video.

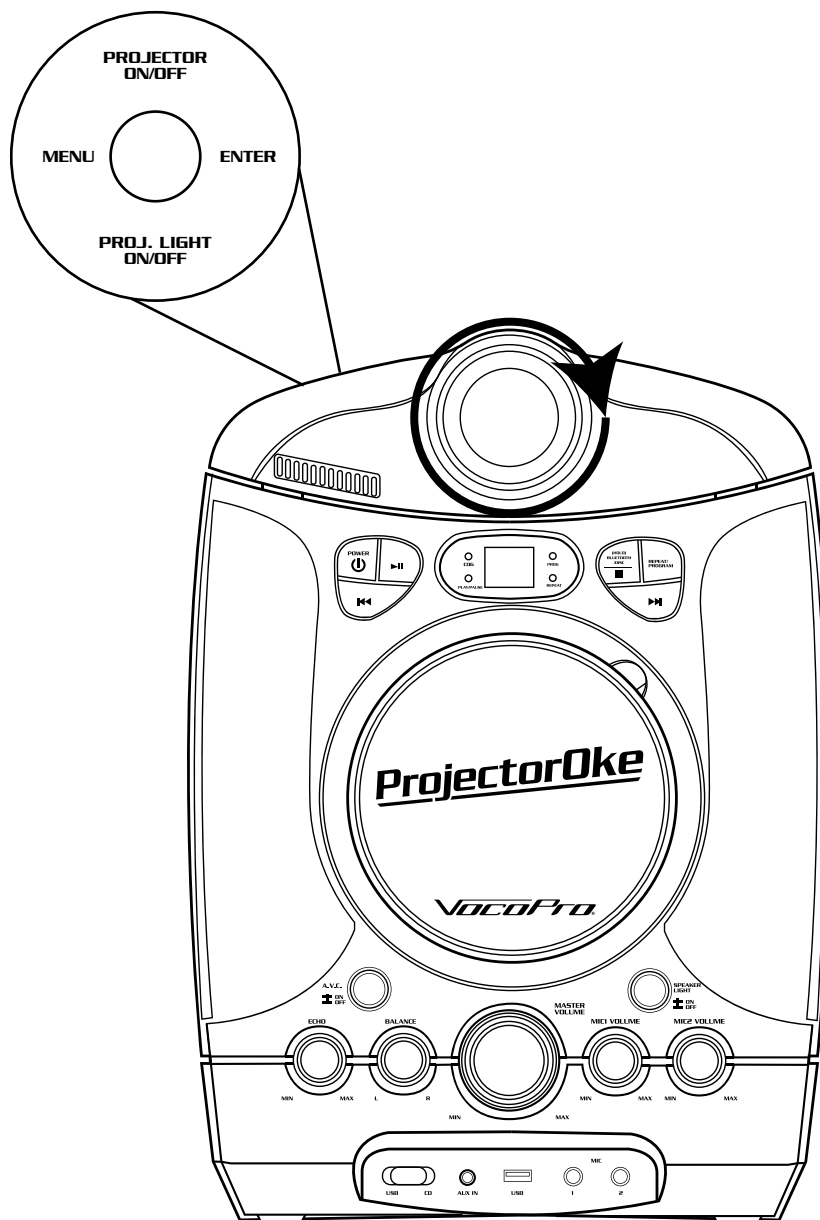
ADJUSTING THE PROJECTION FOCUS

The projector lens is placed perpendicular to the projection screen, press the Projector MENU button to display the menu screen, rotate the lens until the clear text display.

Getting Connected

ADJUSTING THE PROJECTION FOCUS

The projector lens is placed perpendicular to the projection screen, press the Projector **MENU** button to display the menu screen, rotate the lens until the clear text display.



Getting Connected

BLUETOOTH OPERATION

Bluetooth wireless technology is a short-range radio technology that enables wireless communication between various types of digital devices, such as mobile phone or computer. It operates within a range of about 10 meters (30 feet) without the hassle of having to use cables to connect these devices. Since the Bluetooth technology does not require line of sight between the communicating devices, it is not necessary to line up the transmitting device and the receiver, as in the case of infrared technology.

Communication System and Bluetooth Profile of this unit

There are many available Bluetooth Profiles describing the basic communication methods, specific functions and uses, to enable communication between devices.

This unit supports the following:

Communication System: Bluetooth Specification version 2.1 Bluetooth +Enhanced Data Rate (EDR) Profile : A2DP (Advanced Audio Distribution Profile) A2DP enables audio streaming from an A2DP equipped Bluetooth stereo audio source device (eg mobile phone) to this unit. By converting wireless stereo audio signal to analogue audio signal, you can enjoy listening to the sound through this speaker system. AVRCP (Audio/Video Remote Control Profile) is a technology that allows a single remote control to control all Bluetooth enabled Audio Video equipment to which a user has access.

Notes when using unit with a mobile phone:

- This unit cannot be used to talk over the telephone even when there is a Bluetooth connection made to a mobile phone.
- Please refer to the operating manual supplied with the mobile phone for details on operation of your mobile phone while transmitting the sound using a Bluetooth connection.

Getting Connected

BLUETOOTH OPERATION (CONTINUED)

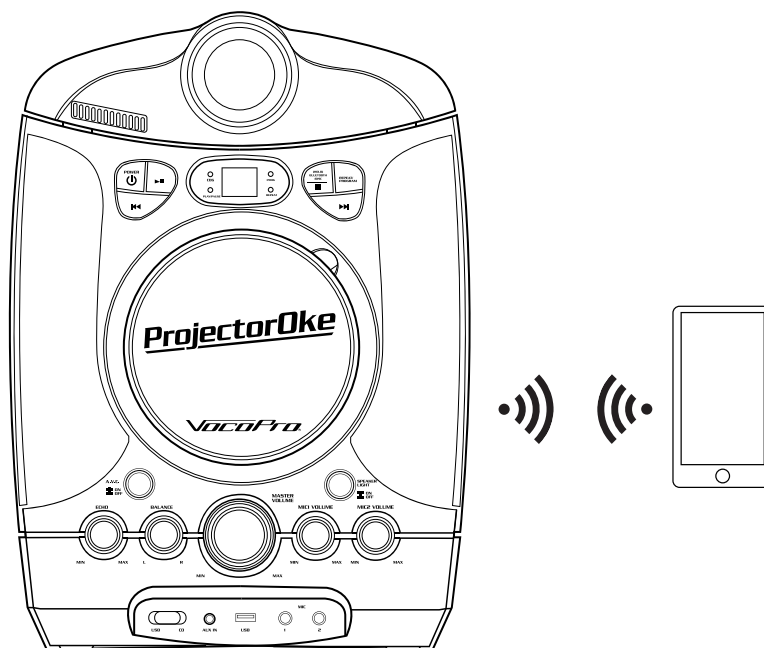
Pairing Bluetooth devices:

Bluetooth devices need to be initially paired first before they can exchange data. Once paired, it is not necessary to pair them again unless:

- Pairing is made with more than 8 devices. Pairing can only be made one device at a time. This unit can be paired to a maximum of 8 devices. If subsequent device is paired, the oldest device paired, will be deleted and replaced with the new one.
- This unit is reset. All pairing information is deleted when unit is reset.
- Pairing information is deleted while re-pairing, etc.

Pairing with other Bluetooth source devices:

1. Press the STAND-BY/ON button to turn the power on.
2. Press and hold the STOP/PAIR button for 3 seconds or more. PAIRING indicator blinks quickly. The unit is now in pairing mode and is ready to be paired with other Bluetooth source devices.
3. Perform pairing procedure on the source device to detect this unit. "ProjectorOke" will appear in the detected devices list (if available) in the source device. (Refer the source device operating manual for details).



Getting Connected

NOTE:

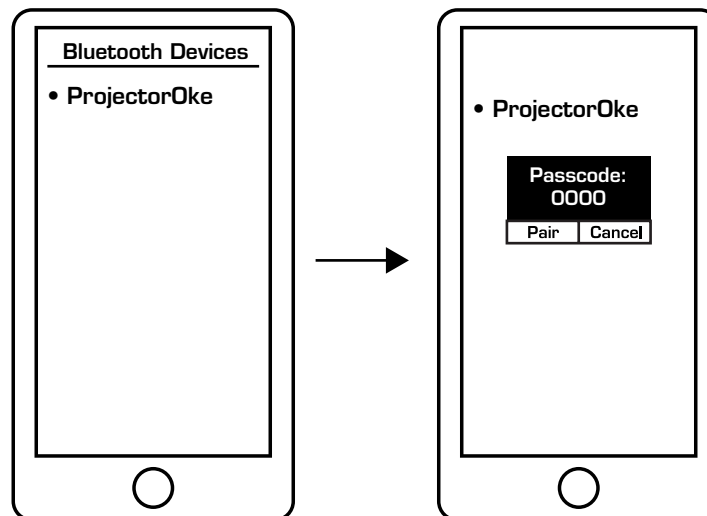
- Place the devices to be paired within 1 meter (3 feet) of each other when pairing.
 - Some source devices are unable to display lists of detected devices. To pair this unit with the source device, refer to the source device operating manual for details.
4. Select "ProjectorOke" from the source list. If Passcode* is required, enter "0000". * Passcode may be called PIN Code, Passkey, PIN number or Password.
 5. Pairing indicator will stop blinking once the unit is successfully paired with the source device. (Pairing information is now memorized in the unit.) Some audio source devices may connect with the unit automatically after pairing is completed, otherwise follow the instructions in the source device operating manual to start connection.
 6. Press the play button on main unit source device to start Bluetooth connection.
Listening to the sound

Check that:

- The mode device Bluetooth functionality is ON.
- Pairing of this unit and the source device is completed.
- Unit is in connected mode (pairing indicator (BT Link) of LED)

1. Press the STAND-BY/ON button to turn the power on.
2. Press the MODE button to select Bluetooth function.
3. Start the Bluetooth connection from the Bluetooth stereo audio source device.
4. Press play button (on main unit, remote control or source device).

NOTE: If the source device has an extra bass function or equalizer function, set them to off. If these functions are on, sound may be distorted.



Getting Connected

GETTING PREPARED FOR YOUR SINGING SESSION

You will need to do the following things:

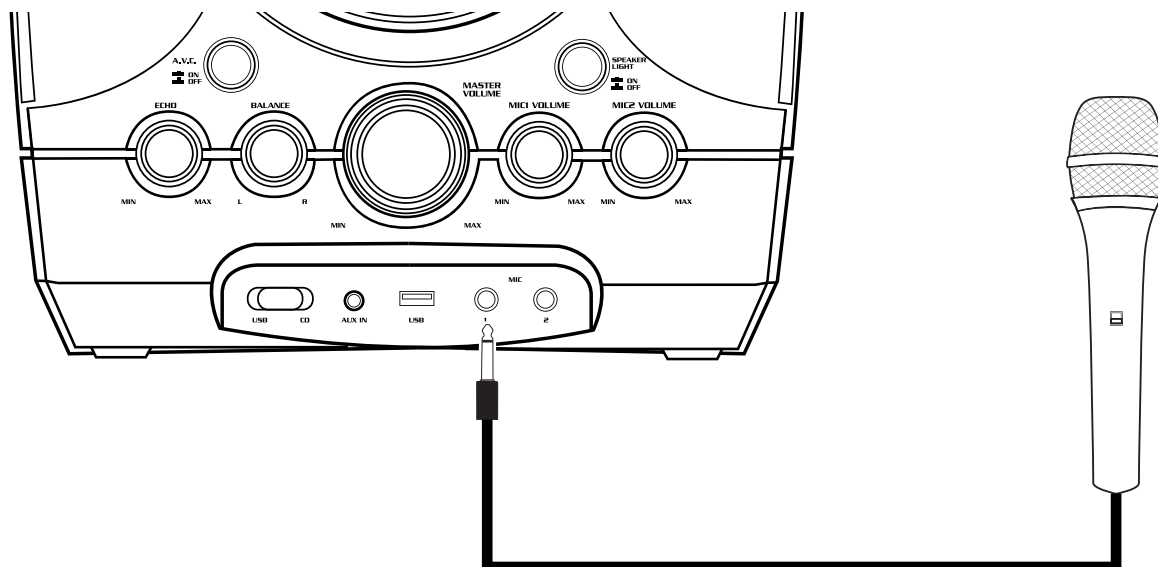
- Connect your unit to a compatible TV using the included A/V cable.
- Plug in the included MICROPHONE into either the MIC 1 or MIC 2 JACK.

Note: Always set the mic to OFF until you are ready to sing to avoid possible sharp feedback noises.

CONNECTING A MICROPHONE

1. Plug a microphone (one microphone is included) into the MIC 1 or MIC 2 JACK on the lower left side of your unit. The mic output will be mixed with an audio source from CD/CD+G/USB flash drive.
2. Slide ON/OFF switch on microphone to "ON" before singing and always slide to "OFF" after use.

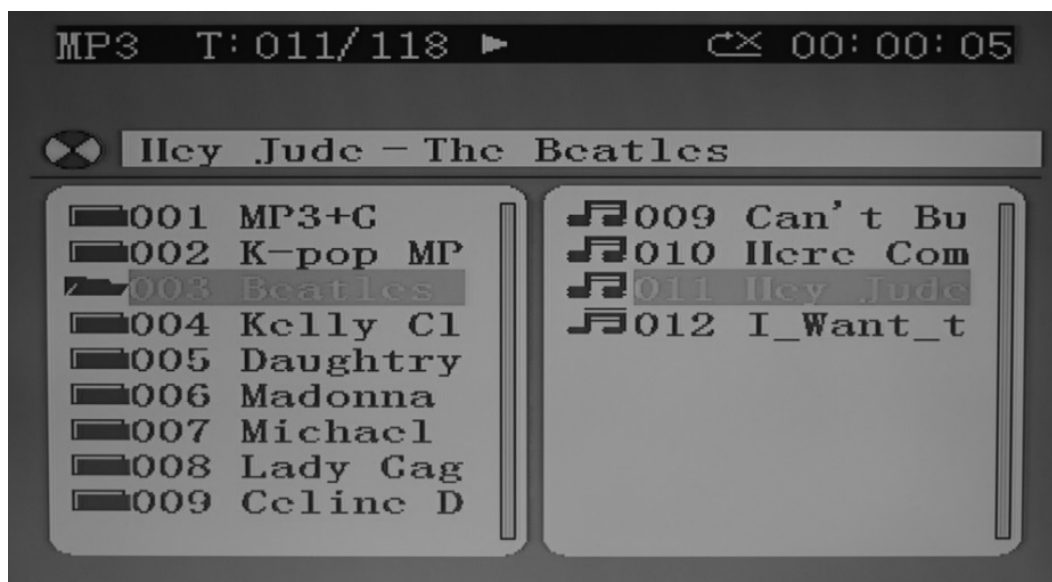
CAUTION - Tapping or dropping the microphone while it is on can cause permanent damage to it. Never grip and swing the microphone around by the connecting cord.



Getting Connected

SINGING ALONG WITH CD+G, CD, CD-R/CD-RW OR USB FLASH DRIVE WITH MP3 FILES

1. Set the FUNCTION SELECTOR to "CD".
2. Load a CD/CD+G disc as follows:
 - A.) Grip the top front edge on the CD DOOR where indicated and pull gently to open it. The LED DISPLAY will display "OP".
 - B.) Load a disc vertically into the compartment with the printed side facing you.
 - C.) Gently close the CD DOOR. The unit begins to read the disc. The LED DISPLAY will display the total number of tracks. (If no disc is loaded or the disc cannot be recognized, "No" will be displayed in the LED DISPLAY).
 - D.) When a CD+G disc is detected and being played, the CDG INDICATOR in the LED DISPLAY will light.
3. Press PLAY/PAUSE BUTTON to play the disc.



NOTE: If you try to play a self-compiled CD-R/RW disc or USB flash drive with MP3 songs (both are not included), you will see the following menu instead.

Getting Connected

On the top line of the menu, "T: 011/118 means track #11 out of total 118 tracks is now playing. The elapsed time of current track is shown on the right.

- If the number of songs on the disc/USB drive is more than 99, the 10th digit of LED DISPLAY will show letter A to F (A=10, b=11, C=12, d=13, E=14 & F=15). For example, if it contains "118" songs, "b8" will show on the LED DISPLAY. If the number of songs on the disc/USB flash drive is over 159, the LED DISPLAY will show 99.
 - However, if you have connected to a TV, full disc content information will be shown as on page 11.
 - All basic play/pause, stop and skip controls are identical to CD mode.
4. Select your favorite song using the NEXT / PREV BUTTON.
 5. Tap PLAY/PAUSE BUTTON to start playing.
 6. Turn ON your microphone and starting singing. Adjust the MASTER VOLUME, MIC VOLUME and TV VOLUME if necessary.

PLEASE READ THIS IMPORTANT INFORMATION

CD mechanisms used in devices like this are designed to fully read all commercial CDs. They will also read self-compiled CD-R/CD-RW discs but it may take up to 10 seconds for playback to start. If playback does not start, it is likely due to the quality of the CD-R/CD-RW disc and/or the compatibility of the CD compilation software. Manufacturer is not responsible for the playback quality of CD-R/CD-RW discs.

Do not attach a label or seal to either side of the CD-R/CD-RW disc. It may cause a malfunction. This unit is designed to play CDs bearing the identification logo or . If CDs do not conform to the CD standard, they may not play properly.

NOTES ON CD, CD+G, CD-R/RW OPERATION

- Do not apply excessive force or press the CD DOOR while it is playing.
- Never place anything except a compact disc in the disc compartment. Foreign objects can damage the unit.
- Only load one disc into the disc compartment at a time.

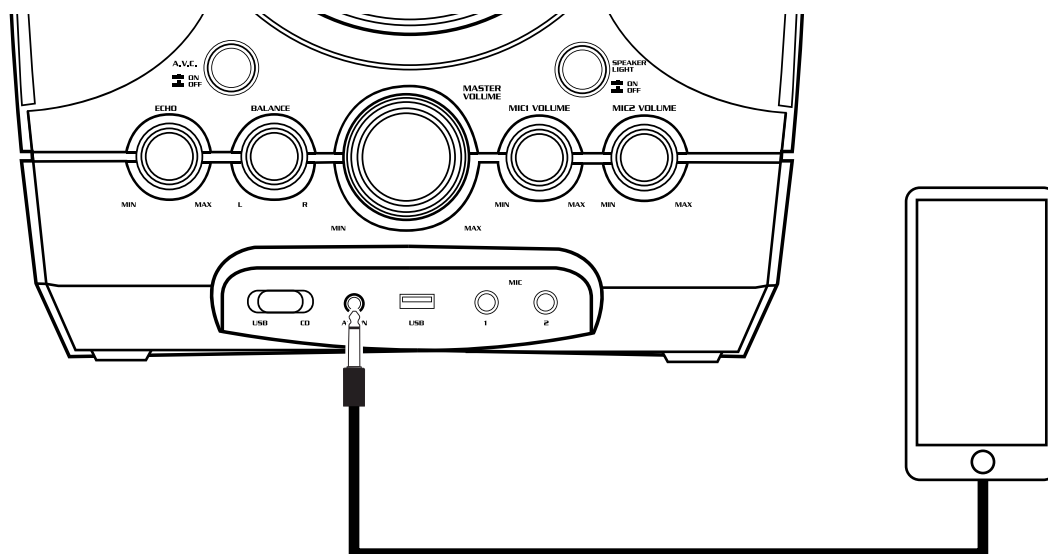
Getting Connected

SINGING ALONG FROM AUX INPUT SOURCES

This karaoke unit features an AUX-IN jack for connecting your iPod, MP3 player or other digital music player.

1. Connect the headphone jack of your external device to the AUX IN jack located on the lower side of this unit (The connection cable is not included).
2. Turn on the unit player and it will enter the AUX function mode once an external device is plugged into the AUX IN jack.
3. Connect the line out or headphone jack of your external audio device (e.g. a CD player, MP3 player, iPhone, iPod, etc...) to the unit with a suitable audio cable (not included).
4. Select your favorite song on your external audio device to play. You may need to adjust the output volume of your external audio device if the headphone jack is used for making the connection.
5. Turn on your microphone and start singing. Adjust the MASTER VOLUME and/or MIC VOLUME if necessary.
6. You may also use the BALANCE and ECHO CONTROLS to enhance your singing experience.
7. Turn off both devices after use.

NOTE: Once the AUX IN jack has been plugged into, the unit automatically enters the AUX mode no matter what position the Function Selector is in. Remember to disconnect the Aux In cable from the unit after use in order to listen to the CD or USB input again.



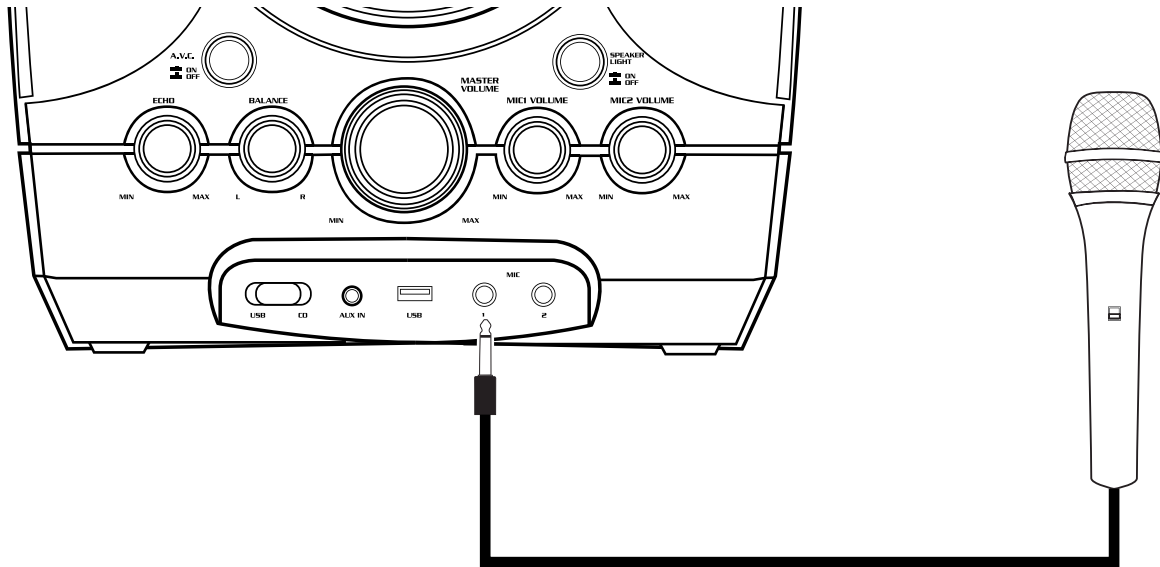
Getting Connected

USING THE UNIT AS A PUBLIC ADDRESS SYSTEM

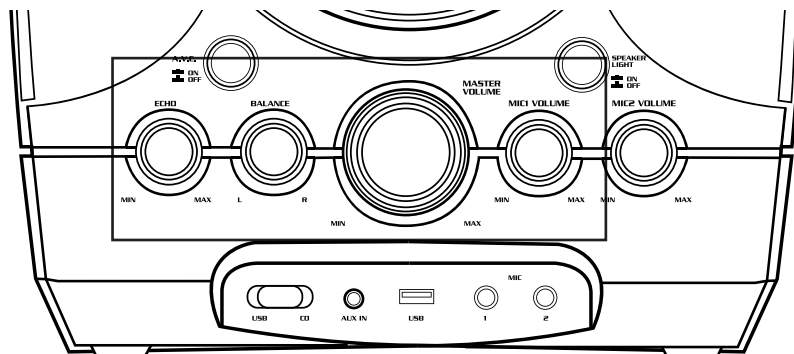
This unit can also be used as a PA (Public Address System).

Note: To prevent feedback or whistling from occurring, please be sure that the microphone is not held too close to unit's speaker.

1. With unit stopped at CD or USB mode, unplug any 3.5mm audio cable (not included) previously connected to the AUX IN JACK.



2. Turn on your MICROPHONE (one included) and start your performance. Adjust the MASTER VOLUME, MIC VOLUME and ECHO control if necessary.



LED LIGHT SHOWS

- The LED light shows inside the speaker and in the lower corners of the unit are created automatically based on the music source being played at the time
- To turn off the LED light show, press the LIGHT ON/OFF to OFF.
- To turn on the LED light show, press LIGHT SHOW Switch to ON.

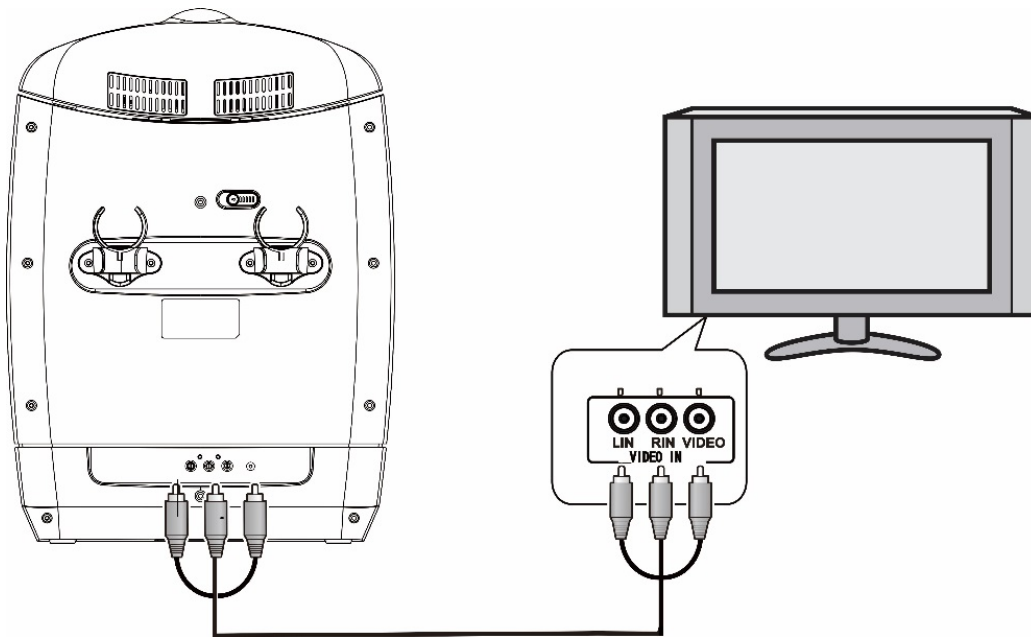
Note: If the brightness is glaring, turn on room lights or turn off LED light show

Getting Connected

Video connection

Please follow the steps below to display CD+G lyrics on the TV screen:

1. Locate the color-coded patch cords.
2. Connect video cable (Yellow) to the VIDEO OUT on the back of the karaoke system.
3. Connect the other end of the video cable (Yellow) to the VIDEO/AV INPUT on your TV.
4. In the setup menu for configuring the TV there may be an 'Input Selection' option where you may choose between 'Cable/Ant.', 'Video 1', or 'Video 2' etc. as the input source.
5. Look for buttons on the remote control of your connected TV that say 'VIDEO', 'VIDEO 1', 'AUX', 'EXT', 'LINE 1'. The 'LINE-IN' button will display the Video input source.



Audio connection

Connect the unit to your TV or home stereo system using the White and Red connections on the supplied patch cord. Plug the white end of the patch cord into the white AUDIO OUT jack on the unit. Plug the red end of the patch cord into the red AUDIO OUT jack on unit. Now connect the other end of the cable's white (left channel) and red (right channel) plugs to your TV or home stereo system's 'AUDIO IN' or 'AUX IN' jacks.

Descriptions and Functions

POWER AND PLAYBACK FUNCTIONS

FUNCTION SELECTOR (CDG/USB)

- Slide the CD/USB FUNCTION switch to CD position to playback a CD, MP3, CD+G, CD-R/CD-RW disc.
- Slide the CD/USB FUNCTION switch to USB position to playback MP3 files on a USB flash drive.
- Once the AUX IN JACK is plugged into, the ProjectorOke will automatically enter the AUX mode. You can attach other music sources (iPod, MP3 or other digital audio players) through the AUX IN JACK to your external player's audio out jack or headphone jack.

POWER ON/OFF BUTTON

Press this button to turn unit ON.

Press and hold this button to turn unit OFF.

PLAY/PAUSE BUTTON

Tap once to play a selected song when playing a CD/CD+G/CD-R/CD-RW disc or MP3 files on a USB flash drive. The PLAY/PAUSE INDICATOR will light.

While playing, tap again to pause. The PLAY/PAUSE INDICATOR will flash.

STOP BUTTON

While a selected song is playing, tap this to stop.

NEXT BUTTON

Tap once to skip forward to the following song during playback or stop mode.

PREV BUTTON

Tap once to skip back to the start of the current song during playback or skip back to the previous song during stop mode.

REPEAT/PROGRAM BUTTON

REPEAT function

During CD/CD+G/MP3 playback on CD/CD-R/CD-RW/USB Flash Drive

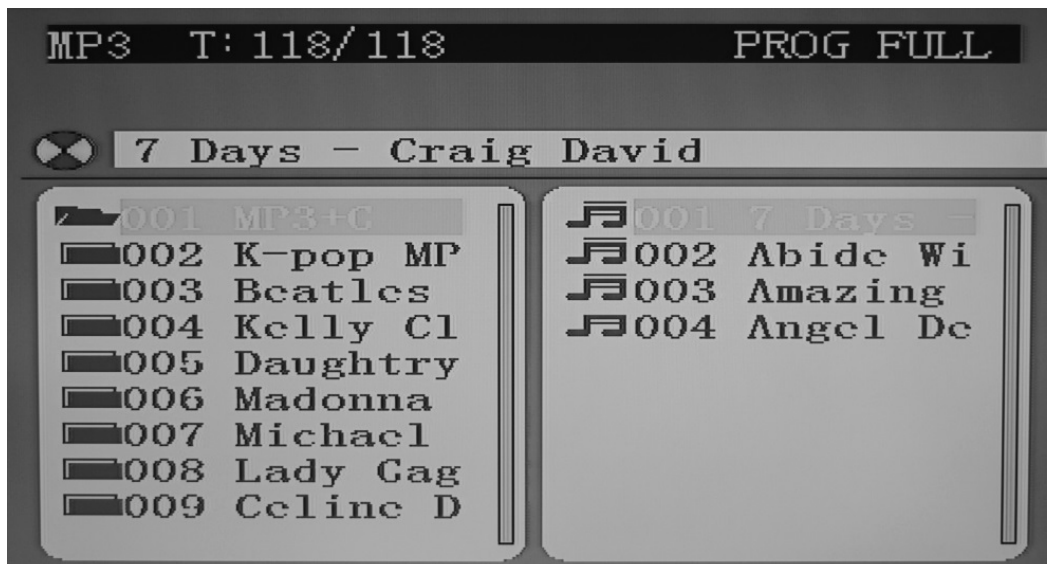
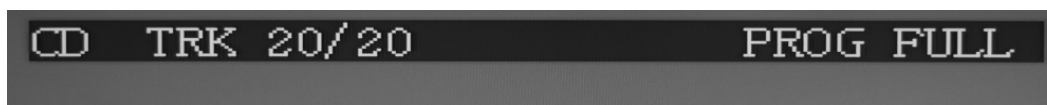
- Tap once for Repeat 1 (REPEAT INDICATOR in LED DISPLAY will flash) to playback current song only;
- Tap again for Repeat All (REPEAT INDICATOR will light steadily) to repeat all available tracks on the disc;
- Tap again to cancel Repeat mode (REPEAT INDICATOR light will turn OFF).

Descriptions and Functions

- **PROGRAM function**

- This function allows music tracks to be played in a programmed sequence.
- NOTE: Program function can only be set in STOP mode.
- Press the PROGRAM button once. Program Number 01 will display and PROGRAM INDICATOR will flash.
- Press the SKIP FORWARD or SKIP BACKWARD button to select the track to be programmed.
- Press the PROGRAM button again to store the selection. The Program number will advance to 02 to prompt for the next track selection input.
- You may repeat steps #2 to #3 to set a program list of up to 20 tracks. As soon as you have entered the 20th track, the LCD DISPLAY will show "FU", indicating that program is full.
- Press the PLAY button to complete and start program play. Press STOP button to stop program play.
- You may use the REPEAT function to repeatedly play a certain track (Repeat 1) or all tracks (Repeat All) in the Program Play Mode.
- The CD player will stop when all the programmed tracks have been played through once. To repeat program play, press the PLAY/PAUSE button.
- To cancel program play, press the STOP button twice while program play is running or open the CD DOOR in stop mode.

Up to 20 tracks can be programmed. If you attempt to program more than 20 tracks, "FU" will appear in the LED DISPLAY and "PROG FULL" will appear on the TV screen as shown below (if connected).



Descriptions and Functions

Program Play mode:

When finished programming, tap PLAY BUTTON to confirm and start program play. The PROG INDICATOR in the LED DISPLAY will light. While playing, you may tap the NEXT or PREV BUTTON to skip to a desired song in the program list.

To stop program play temporarily, tap the STOP BUTTON once. The PROG INDICATOR in the LED DISPLAY and TV screen (as shown below) will remain ON.



Tap PLAY BUTTON to resume program play.

Note: if you tap the STOP BUTTON twice consecutively, you will cancel program play and erase the program list permanently. The PROG INDICATOR in the LED DISPLAY and TV screen will go OFF.

Program Review:

In stop mode, you can review the program list by pressing the NEXT or PREV BUTTON.

INPUT FUNCTIONS

DC JACK

Connect the DC plug of the DC12V output AC Adapter (included) to this jack.

USB JACK

Connect a USB flash drive (FAT32 formatted) up to 32GB (not included) to this jack for playback of MP3 files.

AUX IN JACK

Connect the 3.5mm (AUX) stereo plug of a stereo audio cable (not included) to this jack and the other end to an external audio player for playback.

MIC 1 / MIC 2 JACKS

Connect the microphone (one included) to either one of the jacks to sing.

OUTPUT FUNCTIONS

VIDEO OUT JACK

Connect the yellow coded RCA plug of the A/V cable (included) to this jack and the other end to the VIDEO/AV INPUT of your TV.

AUDIO OUT JACKS (L/R)

Connect the white coded RCA plug (L) and red coded plug (R) of the A/V cable (included) to these jacks and the other end to the audio inputs of your TV.

SPEAKER

There is one built-in speaker for this unit

Descriptions and Functions

KARAOKE CONTROL FUNCTIONS

MASTER VOLUME

Adjust this to obtain the desired volume level from the built-in speaker.

BALANCE CONTROL

Adjust this to obtain the optimum music and vocal levels while playing a CD+G or file or as left (L) and right (R) channel balance while playing ordinary stereo sound tracks of CD or MP3.

AVC (AUTOMATIC VOICE CONTROL) BUTTON

When AVC is On, the vocals on a multiplex recording are eliminated as soon as the singer begins singing into the microphone. When the singer stops singing, the vocals on the multiplex recording are automatically re-activated. This function is used primarily during practice sessions

MIC VOLUME

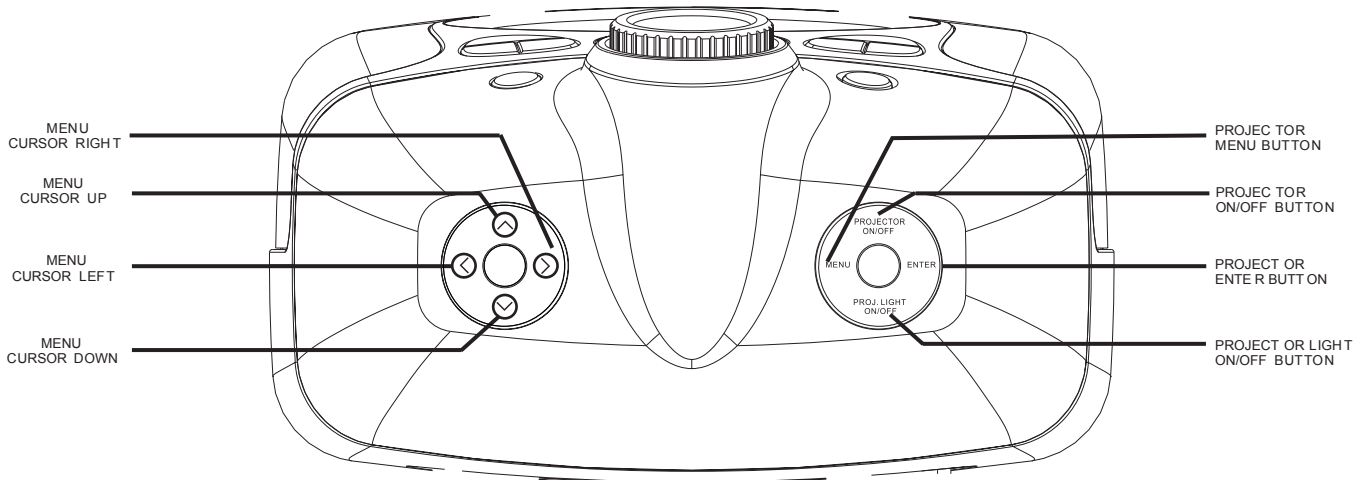
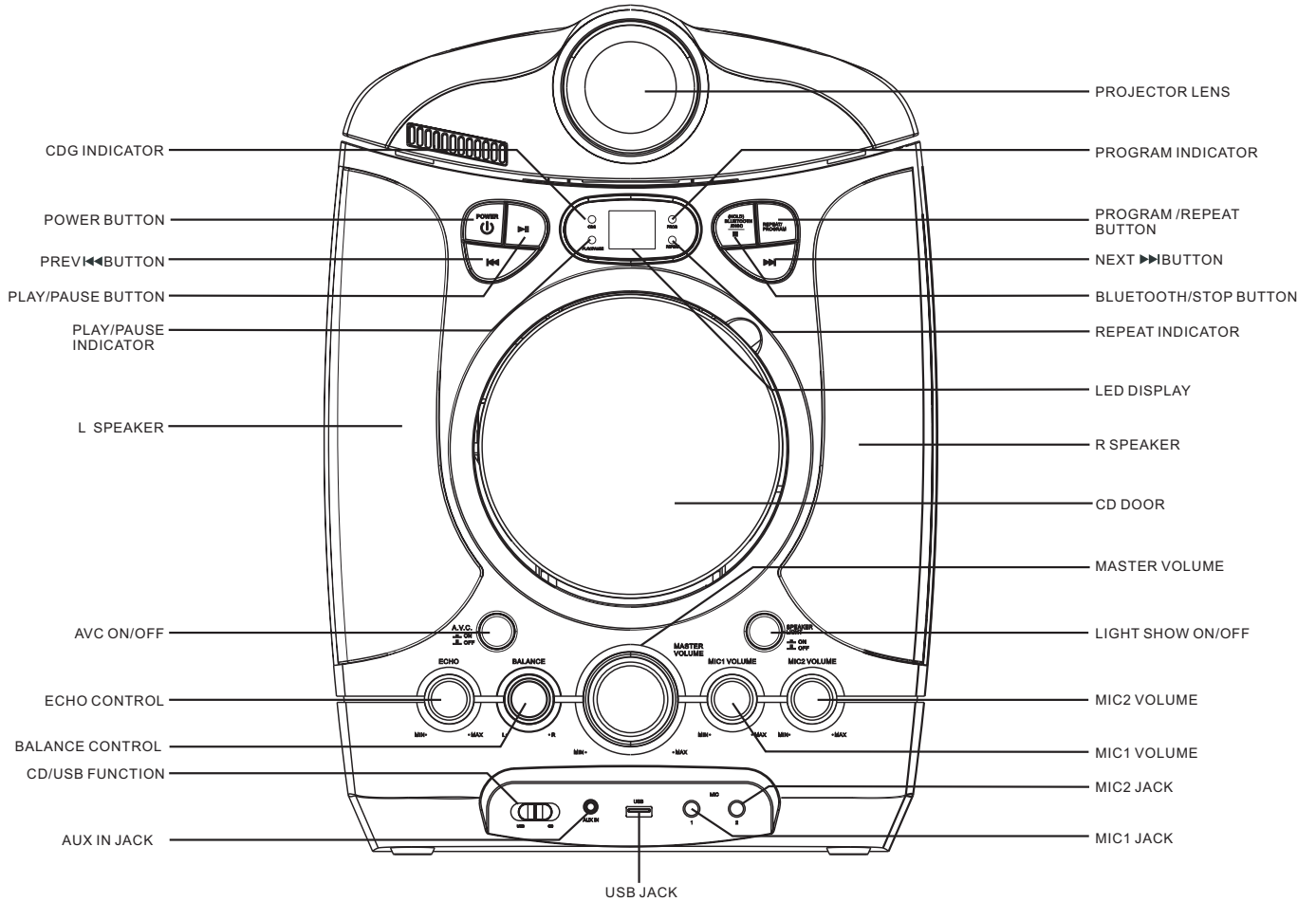
Adjust this control to obtain the desired mic volume output during singing.

Volume level of both Mic 1 and Mic 2 will be adjusted at the same time.

ECHO CONTROL

Turn this control clockwise for a more significant echo effect to enrich your voice for a concert hall effect.

Descriptions and Functions



Specifications

AC Operation	AC/DC Adapter (Included) Input AC 120V ~ 60Hz Output DC 12V 3.5A
Output Power (RMS)	3W x2CH (RMS)
Video Output.....	NTSC Composite
USB Flash Drive Support	Max 32 GB (FAT32 Formatted)
Microphone Jacks (2x)	Each 6.3mm (Stereo)
AUX IN Jack (1x).....	3.5mm (Stereo)
Compact Disc Support	CD/CD+G/CD-R/CD-RW
USB File Types	MP3/MP3-G
Display Device Number of Pixels.....	320 x 240
Screen Size	20 Inches to 120 Inches
Light Source	Ultra High Pressure LED 26 W Type

Troubleshoot

PROBLEM	POSSIBLE CAUSE	SOLUTION
No power when POWER ON/OFF BUTTON is pressed	DC plug of the AC adapter is not plugged into the DC JACK properly.	Re -insert the DC plug of the AC adapter properly.
No power when plugged in	The AC outlet may not have power.	Check the outlet with a working lamp or other electrical appliance.
No sound	MASTER VOLUME of this unit is set to minimum.	Turn up the MASTER VOLUME.
	Volume control on TV set/PA system is set to minimum.	Turn up the volume of the TV/PA system.
	TV set/PA system power is OFF.	Turn ON the power of TV/PA system.
CD player of Karaoke System does not work normally or the "No" appears on the LED DISPLAY.	Disc is inserted upside down.	Insert disc correctly.
	Disc is dirty.	Wipe it clean with soft cloth.
	Disc is scratched.	Use a new disc.
	Disc is warped.	Use a new disc.
	A non -standard disc is inserted.	Only use compatible discs mentioned in this manual.
	Lens is dirty.	Clean the optical pickup with a CD lens cleaner.
	Moisture has condensed inside the CD deck.	Wait about 20 to 30 minutes to let it dry out.
No sound - If audio is going through TV/home stereo	Karaoke system needs to be reset.	Disconnect the machine from power source for 30 seconds.
	Source Selection on your TV/home stereo is not set properly.	Select AV INPUT as the source for your TV/home stereo.
No sound lyrics appear on the TV screen	Improper connection to stereo system or PA.	Follow directions on 'Audio Connection' section for connecting to a home stereo system.
	Video cable is not connected properly to the TV.	Connect the video cable to the VIDEO OUT of the unit and to the TV's Video In jack.
	Source selector on TV is not set to VIDEO or A/V IN.	Use your TV Remote to select VIDEO or A/V input.
	TV does not have video line input.	Connect from VIDEO OUT of the unit to a RF modulator and then to the TV cable input.
No image on TV screen	A CD+G disc is loaded but the CDG indicator is not lit.	Check the disc to be sure it is a CD+G. Check disc to ensure it is clean.
	TV input is not properly set.	Set TV input to correct A/V input that is connected to the unit.
Cannot sing through the mic	Improper mic volume setting.	Adjust MIC and MASTER VOLUME CONTROLS to appropriate levels.
	Mic is off.	Turn on mic with the ON/OFF switch located on the microphone.
	Mic is not properly plugged in.	Insert the mic plug fully into either MIC 1 or MIC 2 JACK of the unit properly.

Notes

