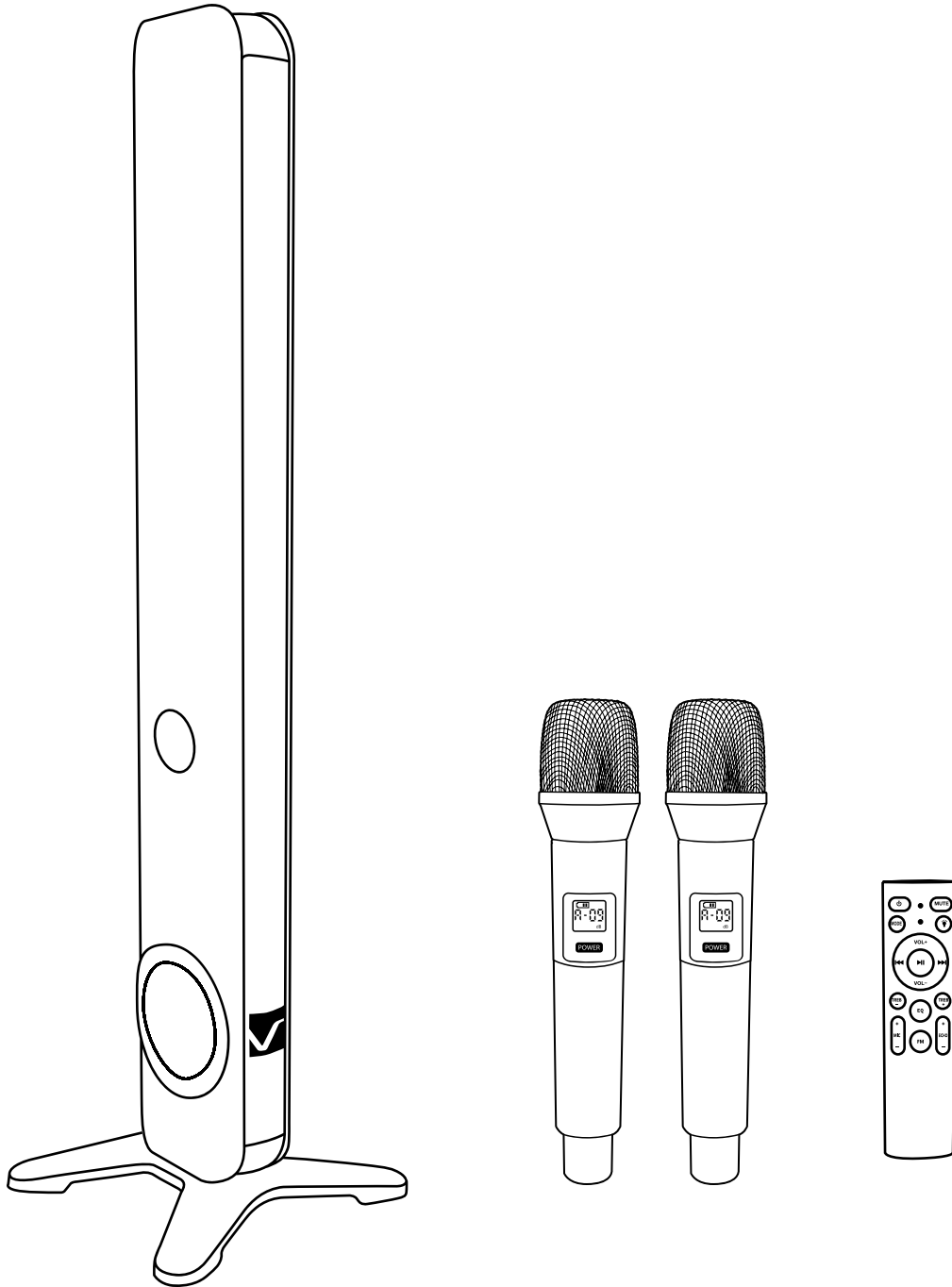


VOCOPro®

Trusted by
Professionals
Since 1991



AURA-SINGER

100W Six-Speaker Tower Karaoke System with 2 Pro
Wireless Microphones for Smart TV and Phone/Tablet

OWNER'S MANUAL

WELCOME

And thank you for purchasing Aura-Singer from VocoPro. Along with quality products our commitment to customer satisfaction means we have technical support professionals ready to assist you. Be sure to visit our website- www.vocopro.com for the latest information on new products.



We are at:
VocoPro
1728 Curtiss Court
La Verne, CA 91750



Phone:
Toll Free: 800-678-5348
TEL: 909-593-8893
FAX: 909-593-8890



Tech Support:
techsupport@vocopro.com
Customer Service:
info@vocopro.com

Legal Disclaimer

All rights reserved. Information, specifications, diagrams, images, and instructions herein are subject to change without notice. VocoPro Products, logo and identifying product names and numbers herein are trademarks of VocoPro. Copyright protection claimed includes all forms and matters of copyrightable materials and information now allowed by statutory or judicial law or hereinafter granted. Product names used in this document may be trademarks or registered trademarks of their respective companies and are hereby acknowledged. All non-VocoPro Products, brands and product names are trademarks or registered trademarks of their respective companies.

VocoPro hereby disclaims any and all liabilities for property, equipment, building, and electrical damages, injuries to any persons, and direct or indirect economic loss associated with the use or reliance of any information contained within this document, and/or as a result of the improper, unsafe, insufficient and negligent assembly, installation, rigging, and operation of this product.

Please record the model number and serial number below, for easy reference, in case of loss or theft. These numbers are located on the packaging the item came in. Space is also provided for other relevant information.

This is not considered a receipt. Please keep a copy of your purchase receipt, provided by the dealer, in your records. A receipt is required for all warranty work.

Model Number

Serial Number

Date of Purchase

Place of Purchase

Listening for a Lifetime

Selecting fine audio equipment such as the unit you've just purchased is only the start of your musical enjoyment. Now it's time to consider how you can maximize the fun and excitement your equipment offers. VocoPro and the Electronic Industries Association's Consumer Electronics Group want you to get the most out of your equipment by playing it at a safe level. One that lets the sound come through loud and clear without annoying blaring or distortion and, most importantly, without affecting your sensitive hearing.

Sound can be deceiving. Over time your hearing "comfort level" adapts to a higher volume of sound. So what sounds "normal" can actually be loud and harmful to your hearing. Guard against this by setting your equipment at a safe level BEFORE your hearing adapts.

To establish a safe level:

- Start your volume control at a low setting.
- Slowly increase the sound until you can hear it comfortably and clearly, and without distortion.

Once you have established a comfortable sound level:

- Set the dial and leave it there.
- Pay attention to the different levels in various recordings.

Taking a minute to do this now will help to prevent hearing damage or loss in the future. After all, we want you listening for a lifetime.

Used wisely, your new sound equipment will provide a lifetime of fun and enjoyment. Since hearing damage from loud noise is often undetectable until it is too late, this manufacturer and the Electronic Industries Association's Consumer Electronics Group recommend you avoid prolonged exposure to excessive noise. This list of sound levels is included for your protection.

Level	Example
30	Quiet library, Soft whispers
40	Living room, Refrigerator, Bedroom away from traffic
50	Light traffic, Normal Conversation
60	Air Conditioner at 20 ft., Sewing machine
70	Vacuum cleaner, Hair dryer, Noisy Restaurant
80	Average city traffic, Garbage disposals, Alarm clock at 2 ft.

The following noises can be dangerous under constant exposure:

Level	Example
90	Subway, Motorcycle, Truck traffic, Lawn Mower
100	Garbage truck, Chainsaw, Pneumatics drill
120	Rock band concert in front of speakers
140	Gunshot blast, Jet plane
180	Rocket launching pad

-Information courtesy of the Deafness Research Foundation

Safety Instructions



CAUTION RISK OF SHOCK



CAUTION: To reduce the risk of electric shock, do not remove cover (or back). No user-serviceable parts inside. Only refer servicing to qualified service personnel.

Explanation of Graphical Symbols



The lightning flash & arrowhead symbol, within an equilateral triangle, is intended to alert you to the presence of danger.



The exclamation point within an equilateral triangle is intended to alert you to the presence of important operating and servicing instructions.

WARNING: To reduce the risk of fire or electric shock, do not expose this unit to rain or moisture.

1. Read Instructions - All the safety and operating instructions should be read before the appliance is operated.
2. Retain Instructions - The safety and operating instructions should be retained for future reference.
3. Heed Warnings - All warnings on the appliance and in the operating instructions should be adhered to.
4. Follow Instructions - All operating and use instructions should be followed.
5. Attachments - Do not use attachments not recommended by the product manufacturer as they may cause hazards.
6. Water and Moisture - Do not use this unit near water. For example, near a bathtub or in a wet basement and the like.
7. Carts and Stands - The appliance should be used only with a cart or stand that is recommended by the manufacturer.
 - 7 A. An appliance and cart combination should be moved with care. Quick stops, excessive force, and uneven surfaces may cause an overturn.
8. Ventilation - The appliance should be situated so its location does not interfere with its proper ventilation. For example, the appliance should not be situated on a bed, sofa, rug, or similar surface that may block the ventilation slots.
9. Heat - The appliance should be situated away from heat sources such as radiators, heat registers, stoves, or other appliances (including amplifiers) that produce heat.
10. Power Sources - The appliance should be connected to



a power supply only of the type described in the operating instructions or as marked on the appliance.

11. Grounding or Polarization - Precautions should be taken so that the grounding or polarization means of an appliance is not defeated.
12. Power-Cord Protection - Power-supply cords should be routed so that they are not likely to be walked on or pinched by items placed upon or against them, paying particular attention to cords at plugs, convenience receptacles, and the point where they exit from the appliance.
13. Cleaning - Unplug this unit from the wall outlet before cleaning. Do not use liquid cleaners or aerosol cleaners. Use a damp cloth for cleaning.
14. Power lines - An outdoor antenna should be located away from power lines.
15. Non-use Periods - The power cord of the appliance should be unplugged from the outlet when left unused for a long period of time.
16. Object and Liquid Entry - Care should be taken so that objects do not fall and liquids are not spilled into the enclosure through openings.
17. Damage Requiring Service - The appliance should be serviced by qualified service personnel when:
 - A. The power supply cord or plug has been damaged; or
 - B. Objects have fallen into the appliance; or
 - C. The appliance has been exposed to rain; or
 - D. The appliance does not appear to operate normally or exhibits a marked change in performance; or
 - E. The appliance has been dropped, or the enclosure damaged.
18. Servicing - The user should not attempt to service the appliance beyond that described in the operating instructions. All other servicing should be referred to qualified service personnel.

Note: To CATV system installer's (U.S.A.): This reminder

is provided to call the CATV system installer's attention to Article 820-40 of the NEC that provides guidelines for proper grounding and, in particular, specifies that the cable ground shall be connected as close to the point of cable entry as practical.



This device complies with Part 15 of the FCC rules. Operation is subject to the condition that this device may not cause harmful interference.

FCC license may be required

FCC Information

1. **IMPORTANT NOTICE: DO NOT MODIFY THIS UNIT!**
This product, when installed as indicated in the instructions contained in this manual, meets FCC requirements. Modifications not expressly approved by Vocopro may void your authority, granted by the FCC, to use this product.

2. **IMPORTANT:** When connecting this product to accessories and/or another product use only high quality shielded cables. Cable(s) supplied with this product **MUST** be used. Follow all installation instructions. Failure to follow instructions could void your FCC authorization to use this product in the U.S.A.

3. **NOTE:** This product has been tested and found to comply with the requirements listed in FCC Regulations, Part 15 for Class "B" digital devices. Compliance with these requirements provides a reasonable level of assurances that your use of this product in a residential environment will not result in harmful interference with other electronic devices. This equipment generates/uses radio frequencies and, if not installed and used according to the instructions found in the owner's manual, may cause interference harmful to the operation of other electronic devices. Compliance with FCC regulations does not guarantee that interference will not occur in all installations. If this product is found to be the source of interference, which can be determined by turning the unit "Off" and "On", please try to eliminate the problem by using one of the following measures:

Relocate either this product or the device that is being affected by the interference.

Use power outlets that are on different branch (circuit breaker or fuse) circuits or install AC line filter(s).

In the case of radio or TV interference, relocate/reorient the antenna. If the antenna lead-in is 300-ohm ribbon lead, change the lead-in to coaxial type cable.

If these corrective measures do not produce satisfactory results, please contact your local retailer authorized to distribute Vocopro products. If you can not locate the appropriate retailer, please contact Vocopro, 1728 Curtiss Court, La Verne, CA 91750.

CAUTION:
READ THIS BEFORE OPERATING YOUR UNIT

1. To ensure the finest performance, please read this manual carefully. Keep it in a safe place for future reference.
2. Install your unit in a cool, dry, clean place - away from windows, heat sources, and too much vibration, dust, moisture or cold. Avoid sources of hum (transformers,

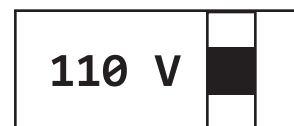
electric motors). To prevent fire or electrical shock, do not expose to rain and water.

3. Do not operate the unit upside-down.
4. Never open the cabinet. If a foreign object drops into the set, contact your dealer.
5. Place the unit in a location with adequate air circulation. Do not interfere with its proper ventilation; this will cause the internal temperature to rise and may result in a failure.
6. Do not use force on switches, knobs or cords. When moving the unit, first turn the unit off. Then gently disconnect the power plug and the cords connecting to other equipment. Never pull the cord itself.
7. Do not attempt to clean the unit with chemical solvents; this might damage the finish. Use a clean, dry cloth.
8. Be sure to read the "Troubleshooting" section on common operating errors before concluding that your unit is faulty.
9. This unit consumes a fair amount of power even when the power switch is turned off. We recommend that you unplug the power cord from the wall outlet if the unit is not going to be used for a long time. This will save electricity and help prevent fire hazards. To disconnect the cord, pull it out by grasping the plug. Never pull the cord itself.
10. To prevent lightning damage, pull out the power cord and remove the antenna cable during an electrical storm.
11. The general digital signals may interfere with other equipment such as tuners or receivers. Move the system farther away from such equipment if interference is observed.

NOTE: Please check the copyright laws in your country before recording from records, compact discs, radio, etc. Recording of copyrighted material may infringe copyright laws.

Voltage Selector (General Model Only)

Be sure to position the voltage selector to match the voltage of your local power lines before installing the unit.

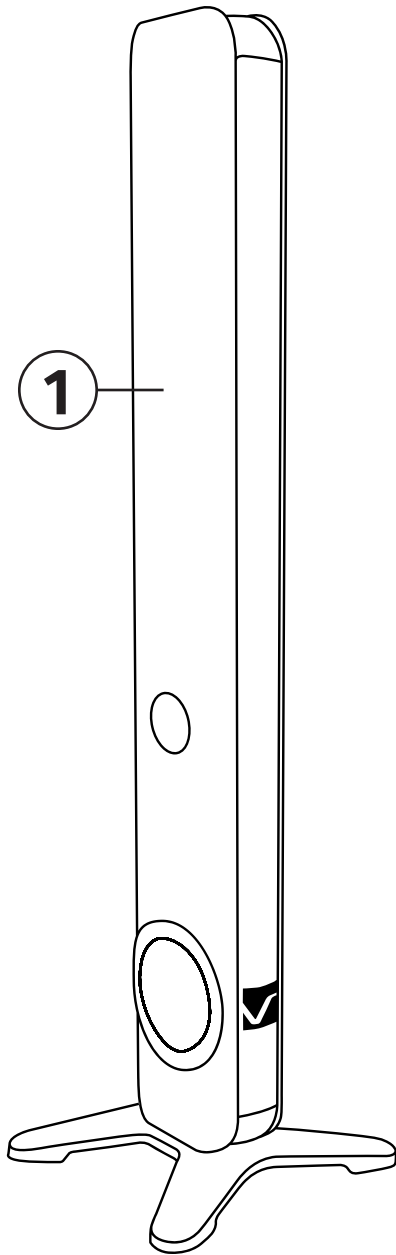


CAUTION: The apparatus is not disconnected from the AC power source so long as it is connected to the wall outlet, even if the apparatus itself is turned off. To fully ensure that the apparatus is indeed fully void of residual power, leave unit disconnected from the AC outlet for at least fifteen seconds.

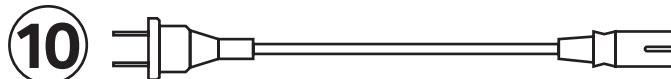
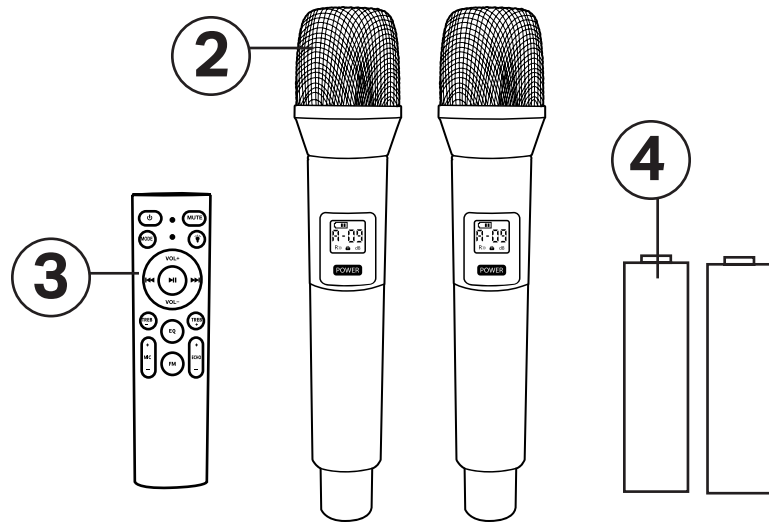
CALIFORNIA PROP 65 WARNING

⚠ WARNING: Cables, Cable Assemblies, and Printed Circuit Boards can expose you to chemicals including lead and lead compounds which are known to the State of California to cause cancer and birth defects or other reproductive harm. For more information, go to www.P65Warnings.ca.gov

What's in the Box



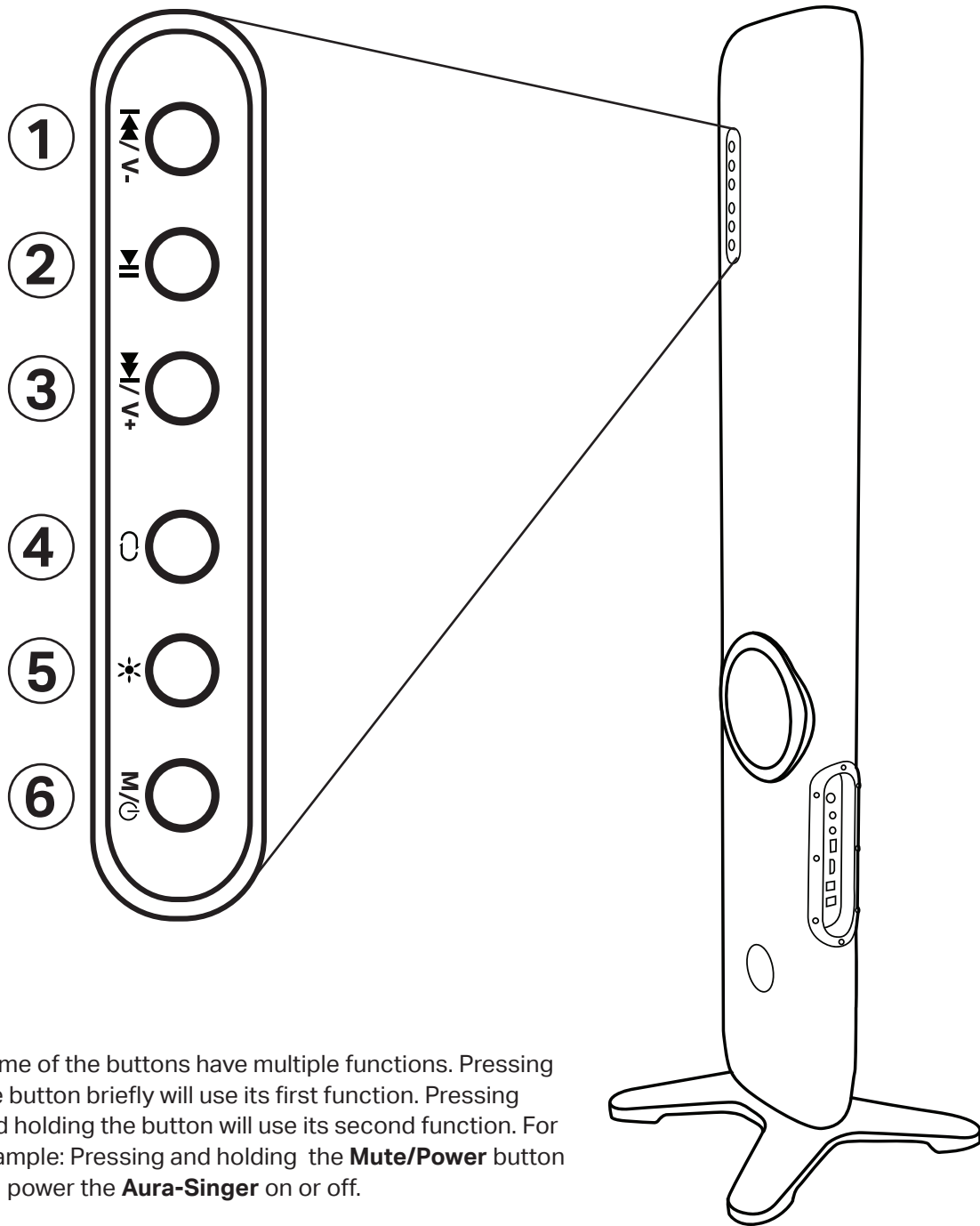
1. Aura-Singer Speaker Tower
2. Wireless Microphones (X2)
3. Remote Control
4. Rechargeable Batteries (X2)
5. USB Charging Cable for Microphones
6. 3.5mm Audio Cable
7. HD ARC Cable
8. FM Antenna
9. Power Adapter
10. Power Cord



Features

- 100W RMS power with six precision-tuned speakers delivers deep bass and crystal-clear highs.
- Includes two premium wireless mics featuring Mic-on-Chip™ technology for flawless vocal clarity and zero cutouts.
- HD Smart TV ARC connection (HD cable included), wireless streaming from your phone or tablet, USB playback, and built-in FM radio.

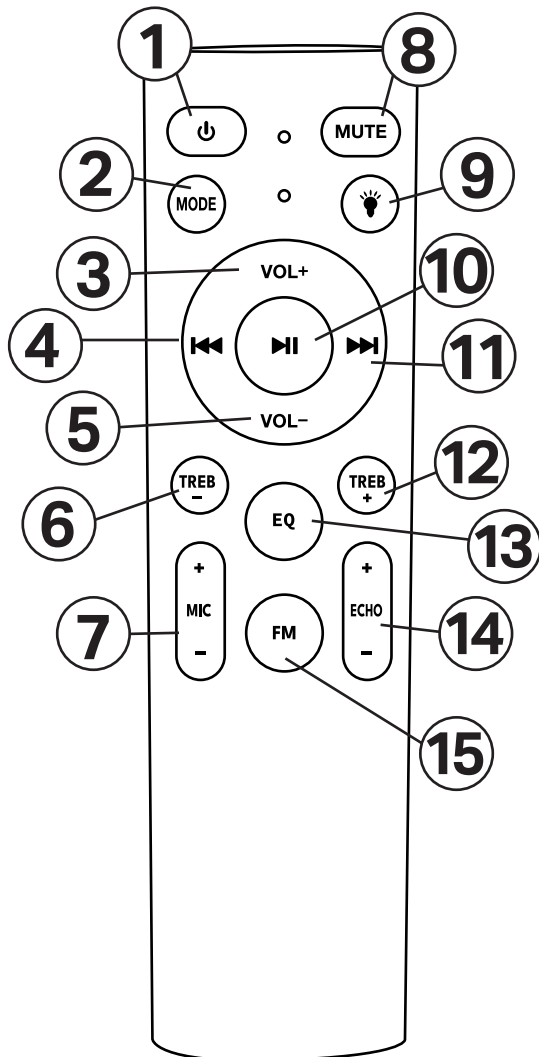
Functions/Controls



Some of the buttons have multiple functions. Pressing the button briefly will use its first function. Pressing and holding the button will use its second function. For example: Pressing and holding the **Mute/Power** button will power the **Aura-Singer** on or off.

1. **◀/V-** Navigate Previous / Volume Down
2. **⏸** Play & Pause
3. **▶/V+** Navigate Next / Volume Up
4. **↻** Loop Mode
5. **☀** Light Mode
6. **M/⏻** Mute / Power

Functions/Controls



Remote Control

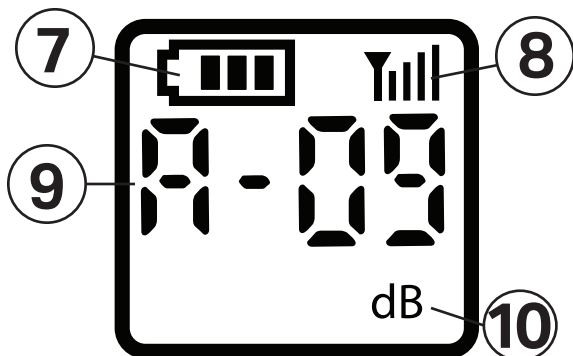
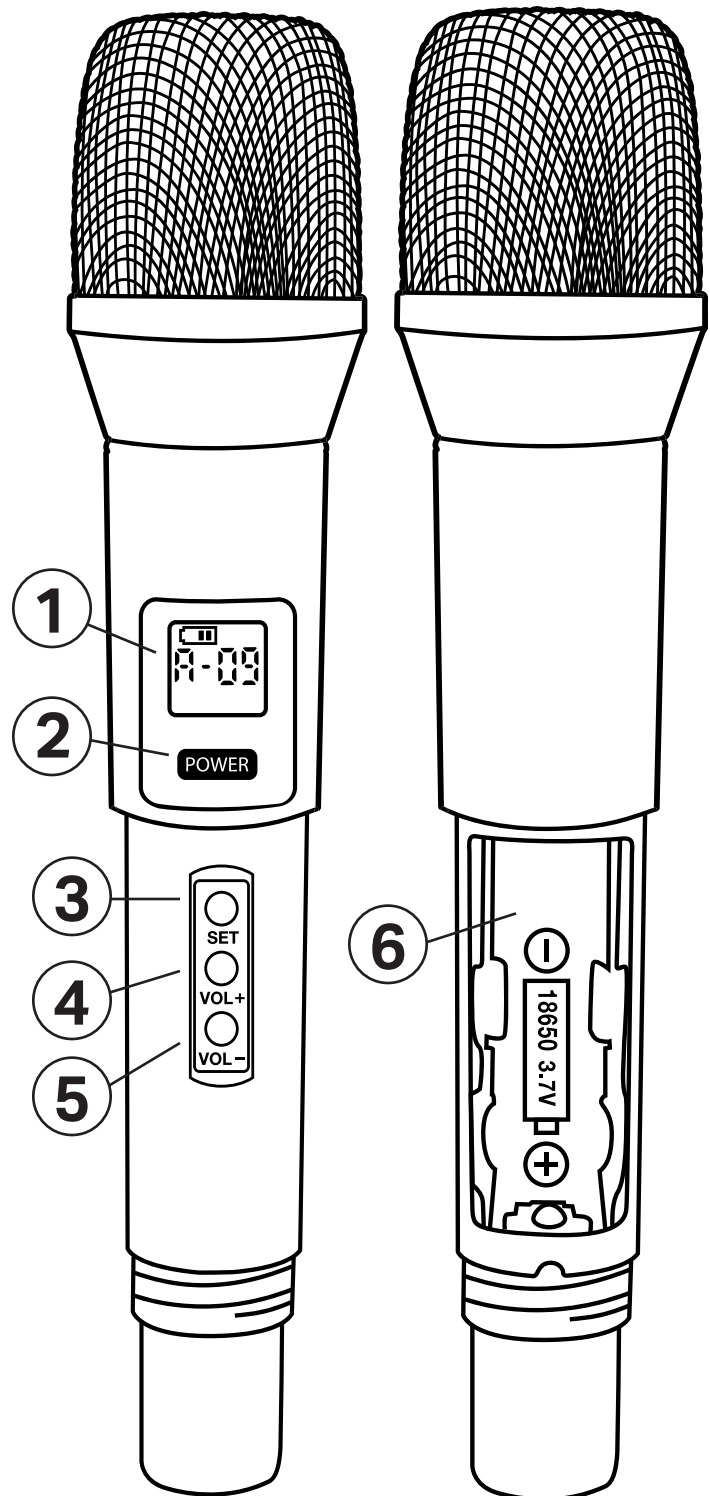
1. **POWER** - Powers Aura-Singer on and off.
2. **MODE** - Changes audio input source.
3. **VOLUME UP** - Increases speaker volume.
4. **BACK** - Goes back to the beginning of a song or the previous track. Navigates to previous radio station in FM mode.
5. **VOLUME DOWN** - Decreases speaker volume.
6. **TREBLE DOWN** - Reduces amount of high frequencies in the audio.
7. **MIC Volume** - Controls how loud the microphones are.
8. **MUTE** - Mutes all audio.
9. **LIGHT MODE** - Cycles through LED visualizer modes.
10. **PLAY/PAUSE** - Plays or pauses songs.
11. **NEXT** - Skips to the next song or radio station in FM mode.
12. **TREBLE UP** - Increases amount of high frequencies in the audio.
13. **EQ MODE** - Switches between the 3 EQ modes. See Page 13 for more information.
14. **ECHO AMOUNT** - Controls how much echo effect is applied to the microphones. (Echo is a repeating effect that makes your voice sound like its in a bigger room/ space).
15. **FM RADIO SCAN** - Switch to FM radio mode.

Functions/Controls

Handheld Microphone Transmitter

The included wireless microphones are automatically synced so they can be used right out of the box. By removing the battery cover, you can access buttons to change the volume of the mics or the frequency channel they transmit on. You can also replace the included Type 18650 3.7V rechargeable battery if needed.

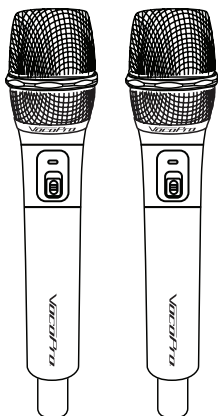
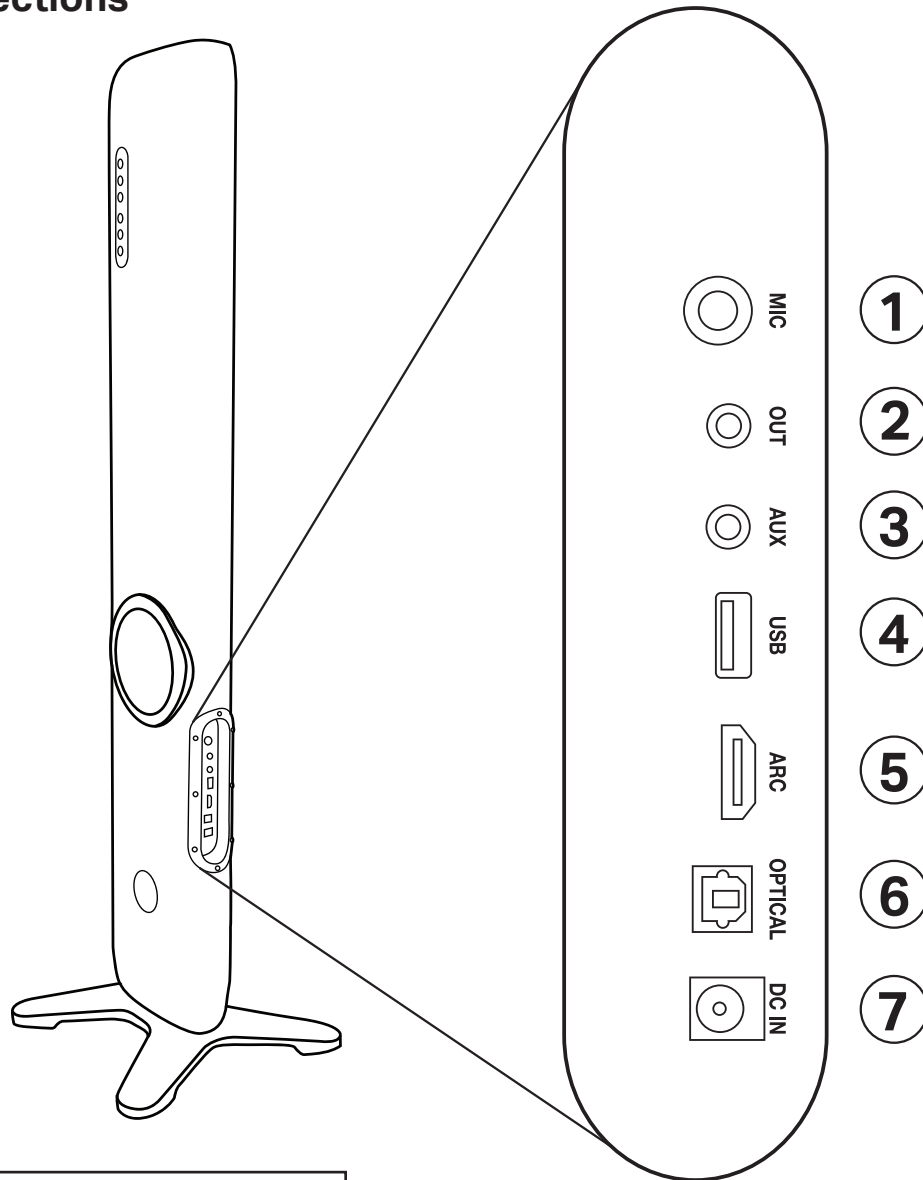
1. **Display** - Shows information about the mic.
2. **Power Button** - Press and hold to power the mic on or off. Press once to show the mic volume setting.
3. **SET** - Press and hold to enter **Frequency Select** mode. Mic A can select from channels 1-50 and Mic B can select from channels 51-100.
4. **VOL +** - Increases mic volume. In **Frequency Select** mode, this button increases the channel number. Pressing and holding changes the channel faster.
5. **VOL -** - Decreases mic volume. In **Frequency Select** mode, this button decreases the channel number. Pressing and holding changes the channel faster.
6. **Battery compartment**



7. **Battery Charge Indicator:** Shows battery charge.
8. **RF Indicator:** Shows connection to Aura-Singer.
9. **Frequency/Volume:** Shows frequency channel or volume level while setting volume.
10. **Decibel Icon:** Shows when setting mic volume.

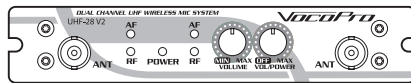
Functions/Controls

Connections



MIC Input:

If you would like more wireless microphones, you could plug a wireless mic system like the VocoPro UHF-28 (pictured in this box) into the mic input.



1. **MIC** - 1/4 inch Microphone Input
2. **OUT** - 3.5mm Stereo Audio Output for microphones and music.
3. **AUX** - 3.5mm Stereo Audio Input
4. **USB** - USB Data Input for Flash Drives
5. **ARC** - HD ARC Connection for HDTVs
6. **OPTICAL** - Digital Audio Optical input.
7. **DC IN** - Power Input Connector

Functions/Controls

Front Display

The front display shows information about the selected audio input, the FM radio station, volume, and echo information. Here is a list of the different display readouts and what they mean.

USB

USB Mode: Reads files from flash drives inserted into the USB port. Can read mp3 audio files only (will not play audio from video files).

AUX

AUX Mode: Listen to audio plugged into the 3.5mm Aux input.

OPT

Optical Mode: Listen to digital audio plugged into the Optical input.

ARC

ARC HD Mode: Listen to audio from ARC enabled devices like Smart TVs.

bt

Bluetooth: Listen to audio streamed from bluetooth enabled devices like phones and tablets.

106.7

FM Radio: Displays the current radio station you are tuned into. Use the next ►► or back ◀◀ buttons to tune to different stations.

V 09

Volume: Shows volume from level 00 to 16

EQ-3

EQ Mode: Shows EQ mode 1,2, or 3

t 3

Treble Amount: Shows treble setting from -7 to 8

E 15

Echo: Shows amount of echo applied to the microphone, from 00 to 16

M 07

MIC Level: Shows mic volume. Levels 00 to 16

LED2

LED Mode: Shows LED modes 1 through 5 or OFF.

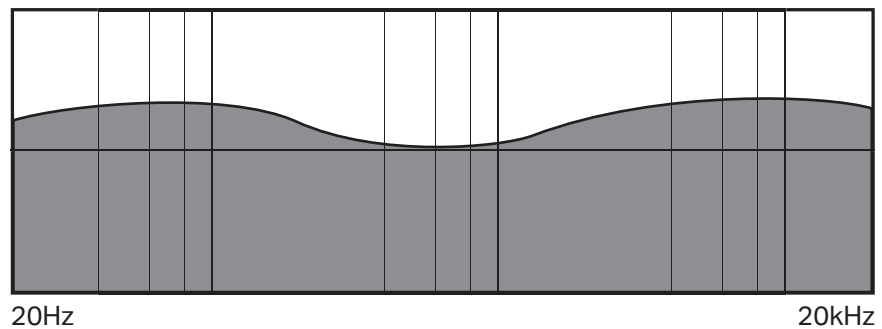
Functions/Controls

EQ Curves

There are 3 EQ modes to select from with the EQ Button on the remote control. **Music**, **Movie**, and **Vocal**. Each one offers a different EQ curve to emphasize parts of the frequency range.

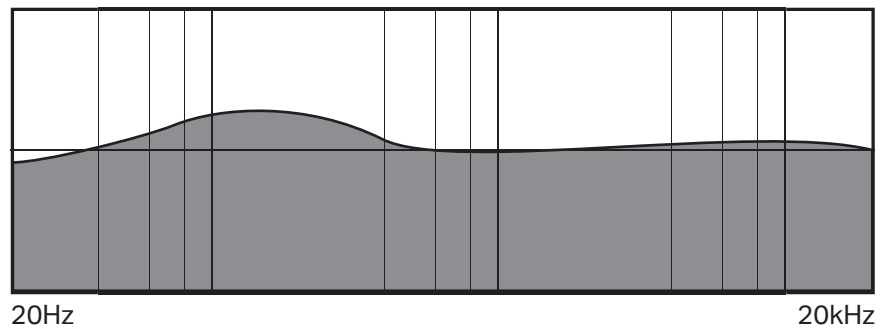
Music Mode

Boosts low and high frequencies for clarity and power.



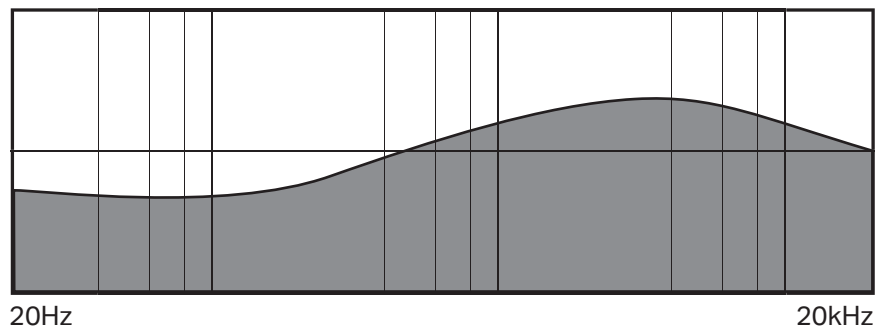
Movie Mode

Boosts the low-mid range to enhance movie sound FX and dialogue.



Vocal Mode

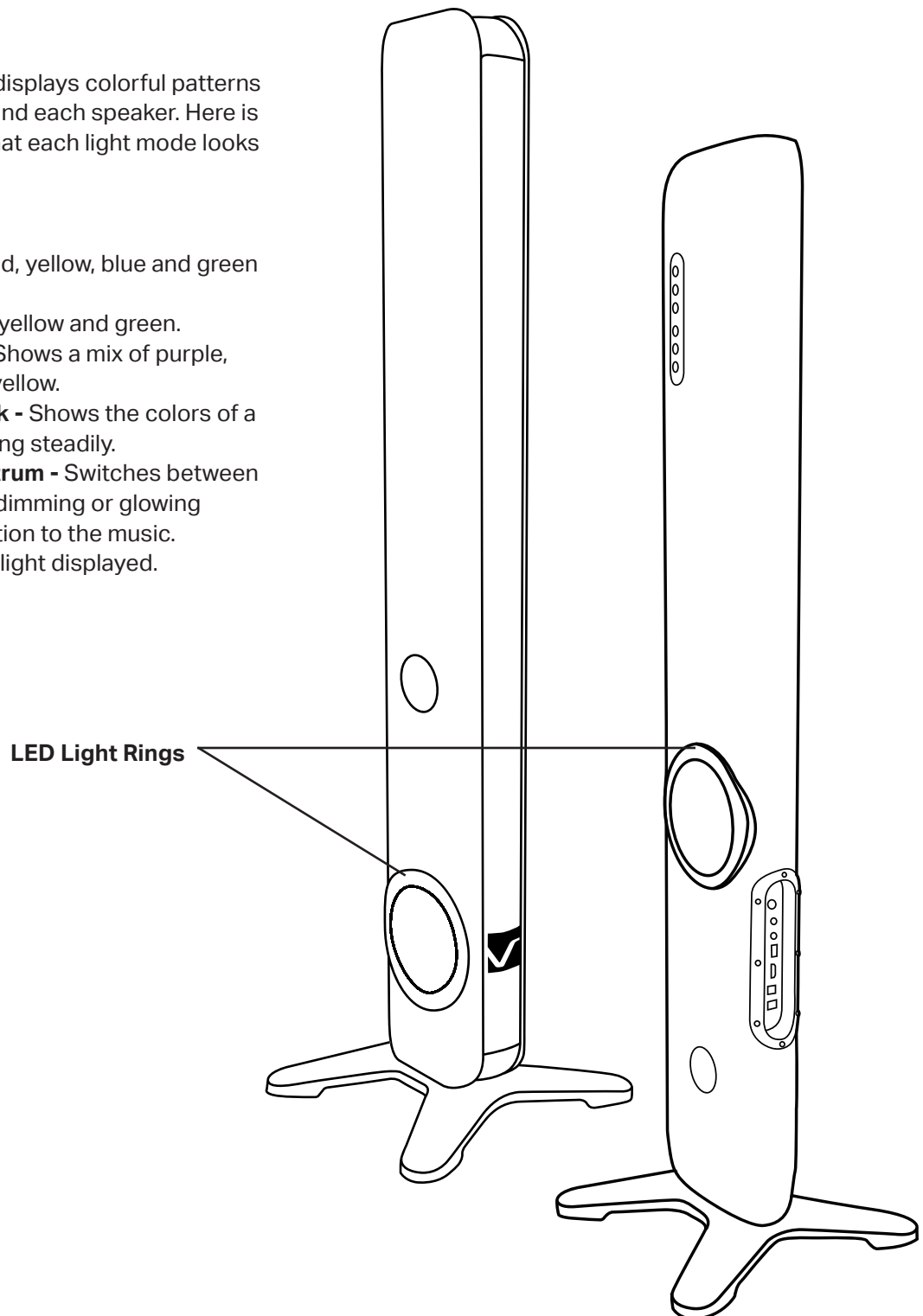
Reduces the low end while boosting frequencies in the vocal range.



Light Modes

Enabling the lights displays colorful patterns in the light ring around each speaker. Here is a break down on what each light mode looks like:

1. **Spin** - Shows red, yellow, blue and green colors spinning.
2. **Citrus** - Shows yellow and green.
3. **Modern RGB** - Shows a mix of purple, cyan, pink and yellow.
4. **Beach Ball Blink** - Shows the colors of a beachball blinking steadily.
5. **Reactive Spectrum** - Switches between all colors while dimming or glowing brighter in reaction to the music.
6. **Lights Off** - No light displayed.



Troubleshooting/FAQ

The Aura-Singer is not powering on.

Check to see that the power adapter is getting power. The light on the adapter will indicate that it is getting power. If there is no light, try plugging it into another outlet. Also ensure the adapter is securely connected to the DC IN on the unit.

I can't hear the mics.

Make sure the microphones and Aura-Singer are both powered on. Check the volume settings on the microphone itself by pressing the power button once briefly. Check the mic volume settings by pressing the Mic+ button once on the remote and adjust as necessary (you can view the settings on the Aura-Singer's front LED display). Lastly, make sure the volume is turned up and not muted on the Aura-Singer itself.

The microphone doesn't hold a charge anymore.

If charging the microphones is no longer working, you may have to replace the type 18650 3.7V battery. You can also try a different charging cable in case that is the issue.

There are no lights on the LED rings around the speakers.

Press the light button on the remote (the symbol on the button looks like a light bulb). This will cycle between the available LED modes.

The Optical audio input isn't working.

Ensure the output from your audio device/tv is set to PCM mode. This will be an option in your Optical output devices settings.

I would like to use more wireless microphones.

You can plug in any wireless mic system with a 1/4" output, like the VocoPro UHF-28, into the MIC input on the back of the Aura-Singer. See Page 11.

Our Team is Here to Help



Please do not return to the retailer if you are having a technical issue operating or connecting the unit. If you need additional help, have questions, or need support with your VocoPro product contact us:

Toll Free: 800-678-5348

TEL: 909-593-8893

FAX: 909-593-8890

Email Tech Support at:
techsupport@vocopro.com

